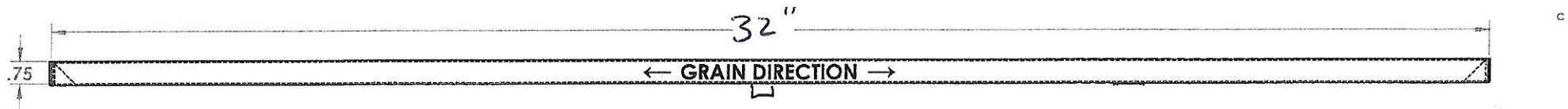
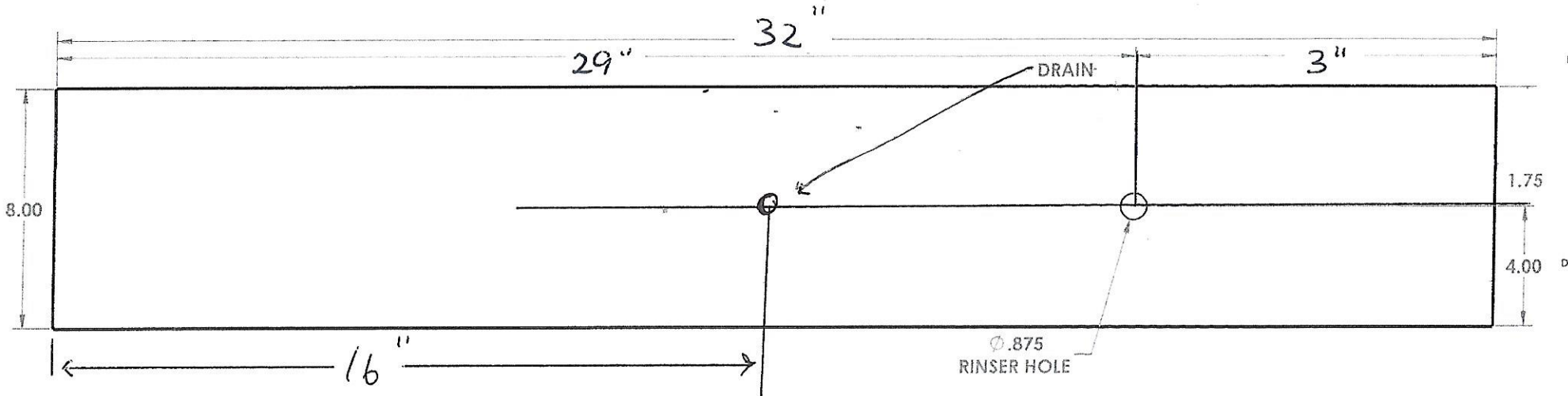
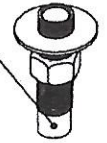
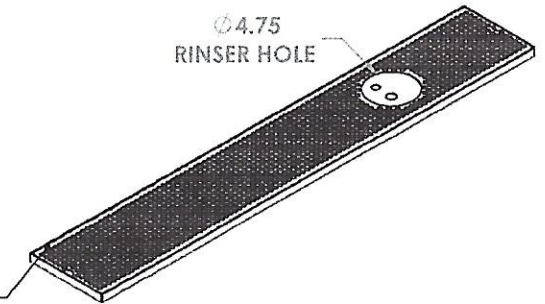


5/8-18 X 3" LONG  
 BRASS DRAIN W/HARDWARE



5/8-18 THREADED DRAIN FITTING-

Ø4.75  
 RINSER HOLE



PERFORATED SCREEN  
 (Ø.375 ON .50 CENTERS)  
 STANDARD

PROPRIETARY AND CONFIDENTIAL

THE INFORMATION CONTAINED IN THIS DRAWING IS THE SOLE PROPERTY OF ACU PRECISION SHEET METAL. ANY REPRODUCTION IN PART OR AS A WHOLE WITHOUT THE WRITTEN PERMISSION OF ACU PRECISION SHEET METAL IS PROHIBITED.

ACU PRECISION SHEET METAL IS:  
 AMERICAN COFFEE URN MANUFACTURING CO., INC

	NAME	DATE	TITLE:
DRAWN	L WILLIAMS	10/16	SM-RDR SURFACE MOUNT W/RIGHT DRAIN & RINSER HOLE 8" X 32"
MATERIAL	18 GA. 304 STAINLESS STEEL		
FINISH	#4 BRUSHED		

DO NOT SCALE DRAWING

AMERICAN COFFEE URN

**NOTES:**

ALL DIMENSIONS ARE INSIDE DIMENSIONS  
 (UNLESS OTHERWISE NOTED)