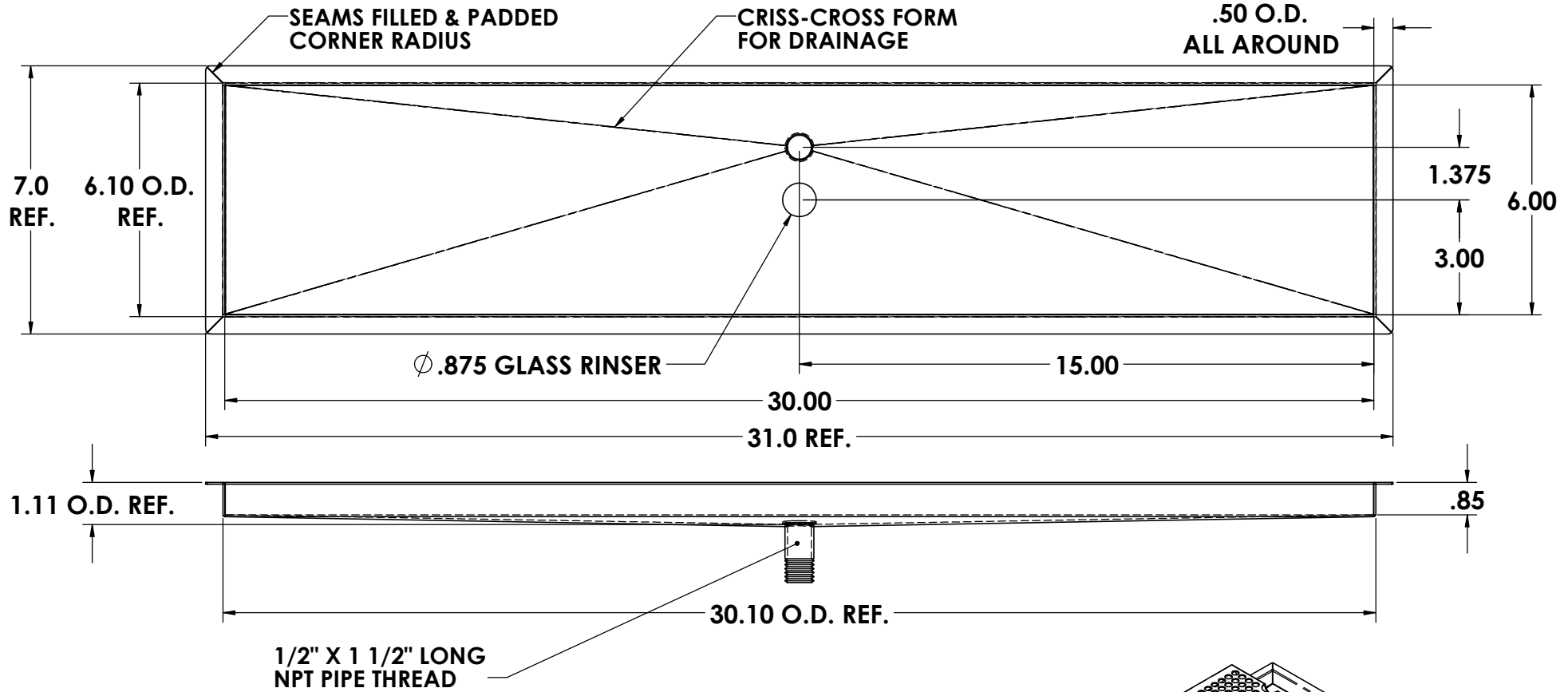


REVISIONS		DATE	APPROVED
ZONE	REV.	DESCRIPTION	

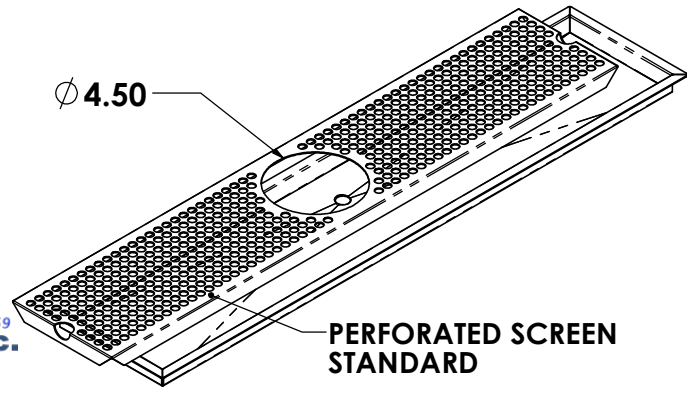
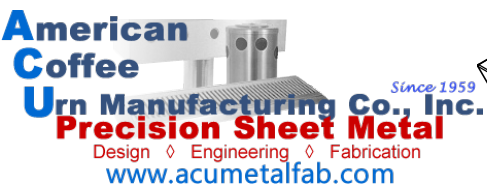


Please **Circle** the desired options Below:

ALL DIMENSIONS ARE INSIDE DIMENSIONS UNLESS OTHERWISE NOTED

- MATERIAL :**  
 18 GAUGE STAINLESS STEEL  
 16 GAUGE STAINLESS STEEL  
 16 GAUGE BRASS

- FINISHES :**  
 #2B SATIN ON ALL TYPES  
 #4 BRUSHED ON ALL TYPES  
 #8 POLISHED ON ALL TYPES



**Proprietary and Confidential**  
 The Information contained in this drawing is the sole property of ACU Precision Sheet Metal. Any reproduction in part or as a whole without the written permission of ACU Precision Sheet Metal is Prohibited.  
 ACU Precision Sheet Metal is:  
 American Coffee Urn Manufacturing Co., Inc.

	NAME	DATE
DRAWN	M. Johs	08/14
MATERIAL	SEE NOTES	
FINISH	SEE NOTES	COMMENTS:

TITLE:	<b>FMDR 6" FLUSH MOUNT W/DRAIN &amp; GLASS RINSER</b>
	<b>AMERICAN COFFEE URN</b>