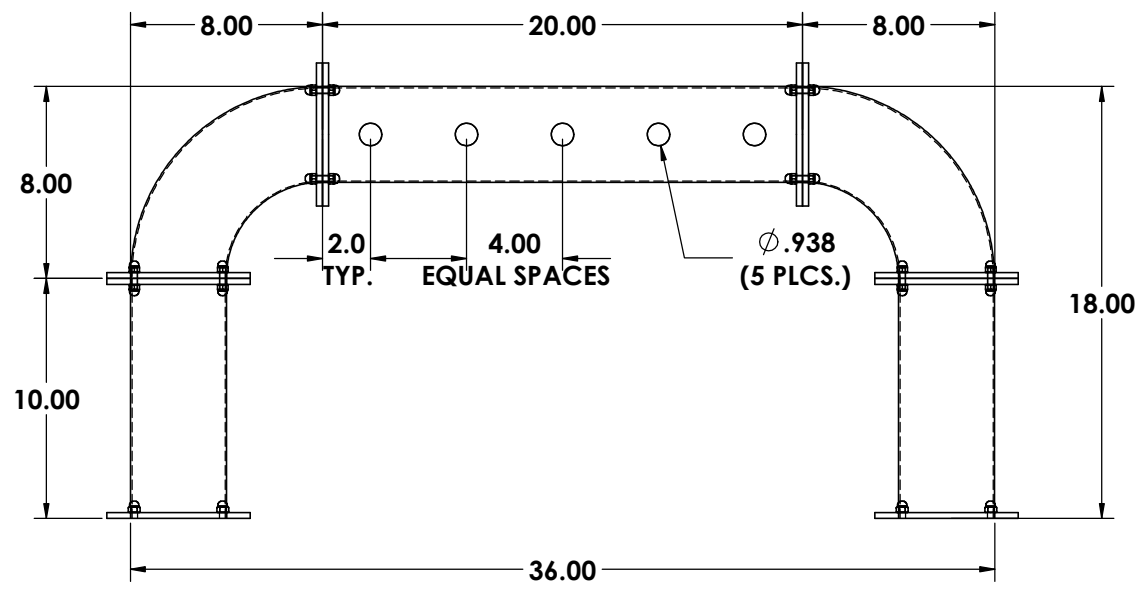
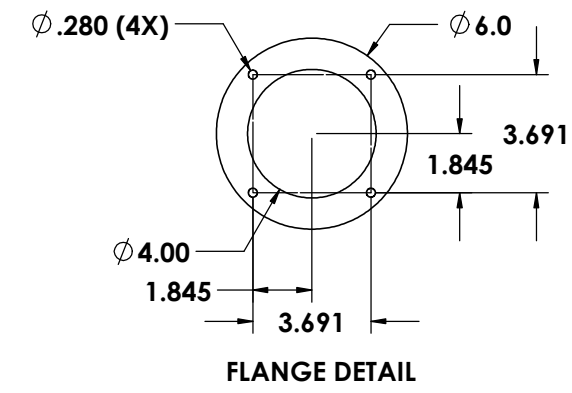
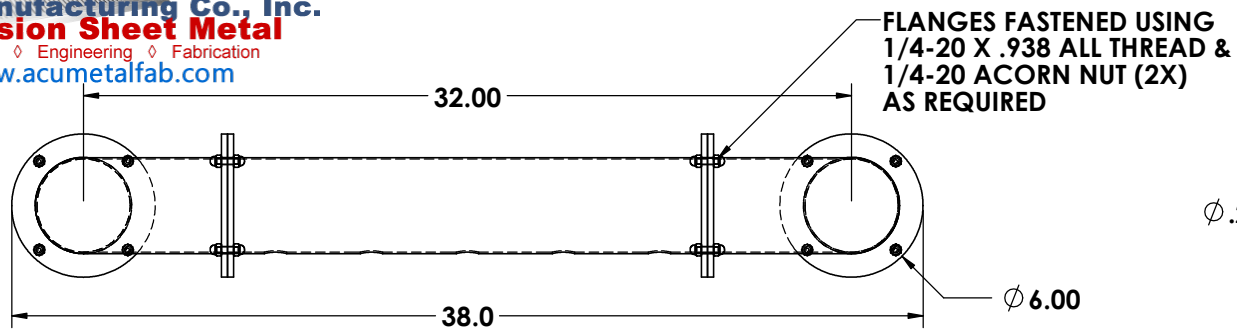
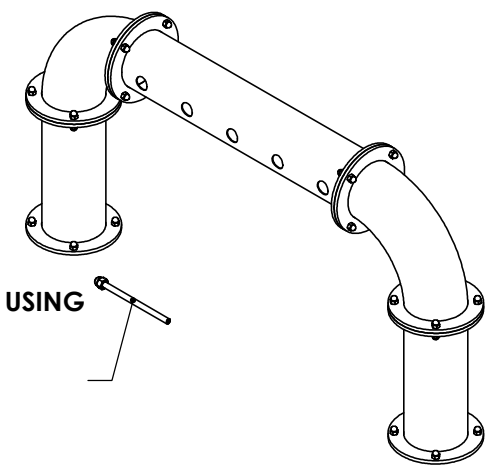


REV. NO.		REVISIONS	DATE	APPROVED
ZONE	REV.	DESCRIPTION		

www.acumetalfab.com



**STANDARD TOWER MOUNTING USING
 1/4-20 X 4.0 ALL THREAD W/
 1/4-20 ACORN NUT
 AS REQUIRED**



MATERIAL :
 4" X .060" WALL STAINLESS STEEL TUBING
 1/4" STAINLESS STEEL PLATE (FLANGE)

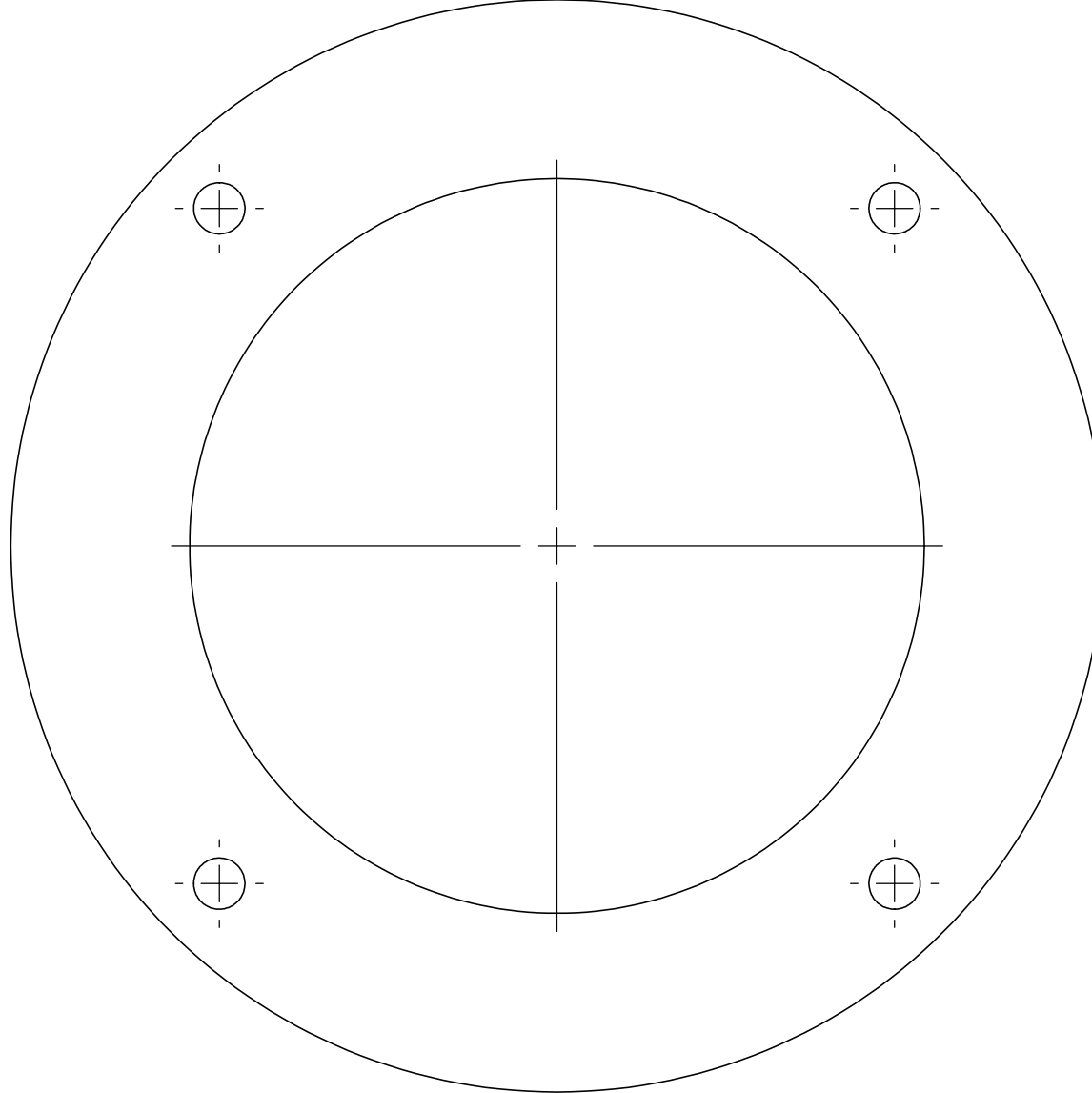
FINISHES :
 #4 BRUSHED ON ALL TYPES

Part # Bridge-5hole-SS4

Proprietary and Confidential
 The Information contained in this drawing is the sole property of ACU Precision Sheet Metal. Any reproduction in part or as a whole without the written permission of ACU Precision Sheet Metal is Prohibited.
 ACU Precision Sheet Metal is:
 American Coffee Urn Manufacturing Co., Inc.

NAME	DATE	TITLE:
DRAWN	M. Johs	08/14
MATERIAL	SEE NOTES	
FINISH	SEE NOTES	COMMENTS:
DO NOT SCALE DRAWING		
		4" BRIDGE TOWER 5 HOLE SINGLE SECTION
		AMERICAN COFFEE URN

4" BRIDGE TOWER BASE MNTG. TEMPLATE



SCALE 1:1

Set printer settings to : Page Scaling = "None"