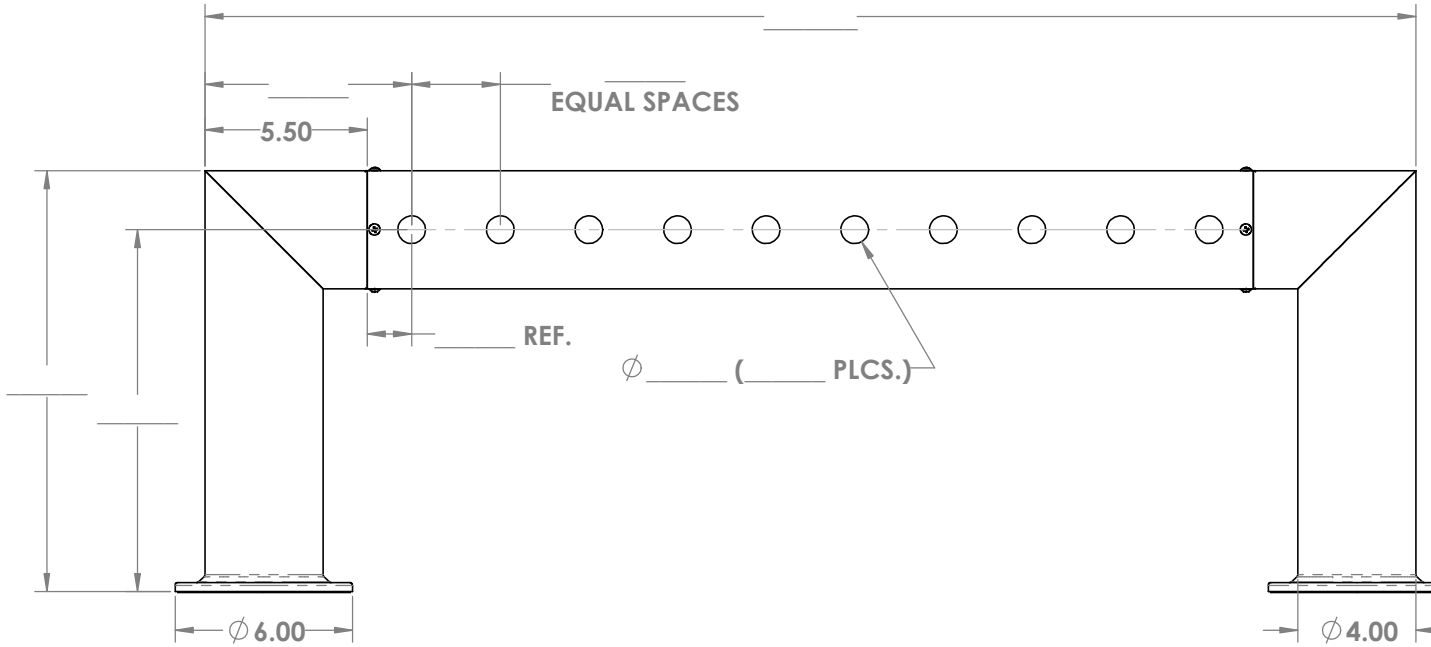


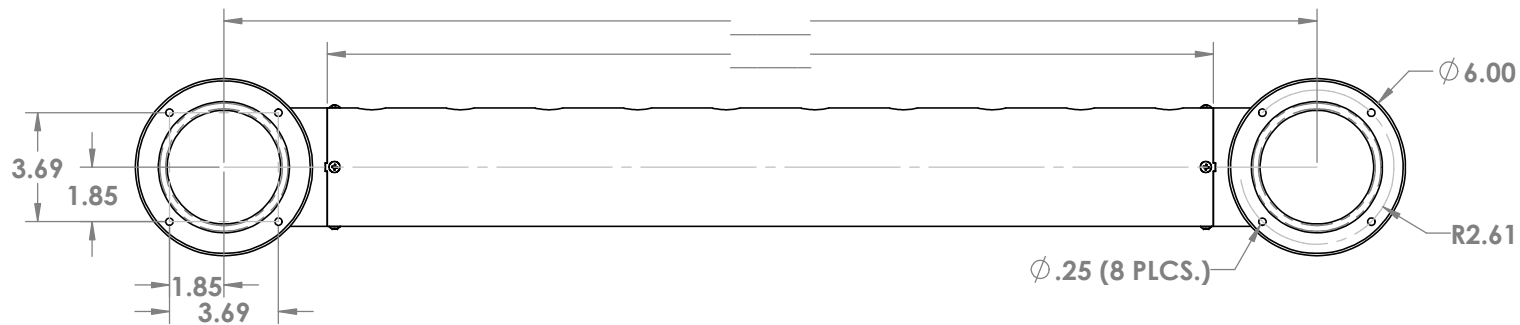
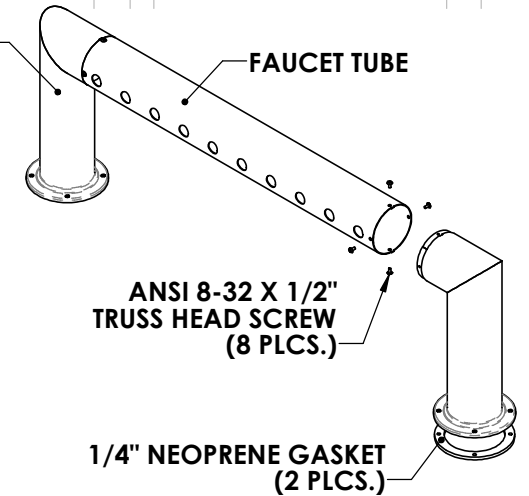
CHANGE DIMENSIONS AS NEEDED FOR CUSTOM TOWERS

REVISES		DATE	APPROVED
JONE	REV.	DESCRIPTION	

Precision Sheet Metal
 Design ♦ Engineering ♦ Fabrication
 www.acumetalfab.com



PASS THRU PEDESTAL (2 PLCS.)



CIRCLE FINISH BELOW

#4 BRUSHED #8 POLISHED

NOTES:

ALL DIMENSIONS ARE OUTSIDE DIMENSIONS (UNLESS OTHERWISE NOTED)

www.acumetalfab.com

PROPRIETARY AND CONFIDENTIAL

THE INFORMATION CONTAINED IN THIS DRAWING IS THE SOLE PROPERTY OF ACU PRECISION SHEET METAL. ANY REPRODUCTION IN PART OR AS A WHOLE WITHOUT THE WRITTEN PERMISSION OF ACU PRECISION SHEET METAL IS PROHIBITED.

ACU PRECISION SHEET METAL IS : AMERICAN COFFEE URN MANUFACTURING CO., INC

	NAME	DATE
DRAWN	L. WILLIAMS	10/17
MATERIAL	304 STAINLESS STEEL	
FINISH		
REFERENCE		

TITLE:
4" PASS THRU TOWER CUSTOM PASS THRU ASSEMBLY
AMERICAN COFFEE URN