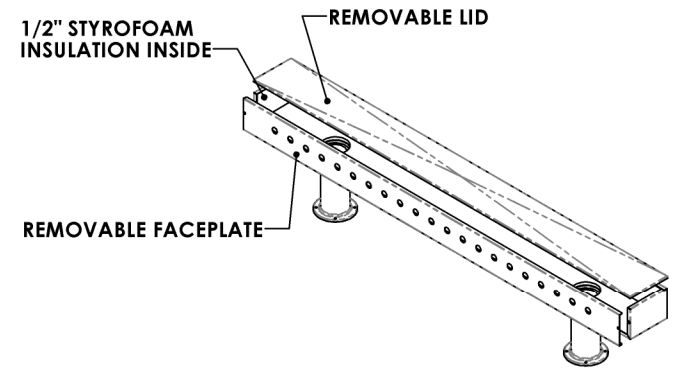
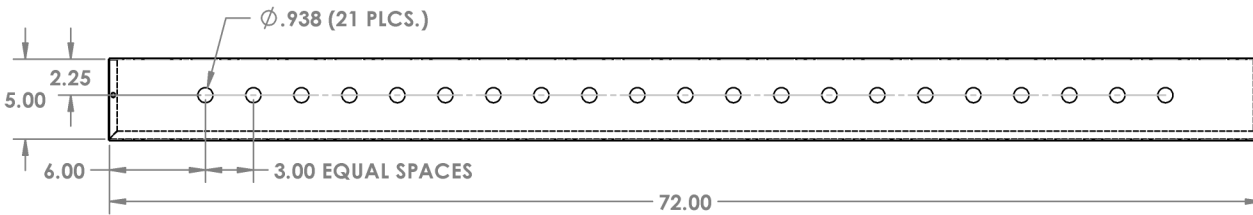
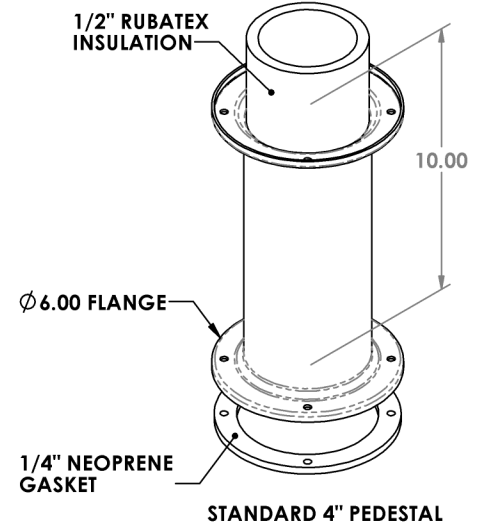
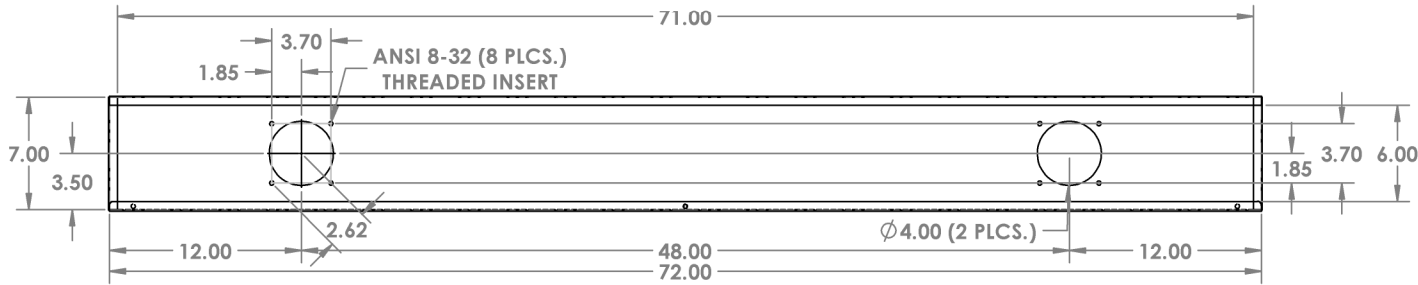


CHANGE DIMENSIONS AS NEEDED FOR CUSTOM T-TOWERS

REVISIONS		DATE	APPROVED
IONE	REV.	DESCRIPTION	

Precision Sheet Metal
Design ♦ Engineering ♦ Fabrication
www.acumetalfab.com



NOTES:

ALL DIMENSIONS ARE INSIDE DIMENSIONS (UNLESS OTHERWISE NOTED)

***FAUCET HARDWARE NOT INCLUDED**

PROPRIETARY AND CONFIDENTIAL
THE INFORMATION CONTAINED IN THIS DRAWING IS THE SOLE PROPERTY OF ACU PRECISION SHEET METAL. ANY REPRODUCTION IN PART OR AS A WHOLE WITHOUT THE WRITTEN PERMISSION OF ACU PRECISION SHEET METAL IS PROHIBITED.
ACU PRECISION SHEET METAL IS : AMERICAN COFFEE URN MANUFACTURING CO., INC

	NAME	DATE
DRAWN	L. WILLIAMS	08/16
MATERIAL	16 GA. BRASS	
FINISH	#8 POLISHED	

TITLE:
4" T-TOWER 72" T-TOWER BOX* W/ 21 HOLE FACEPLATE DOUBLE PEDESTAL AMERICAN COFFEE URN