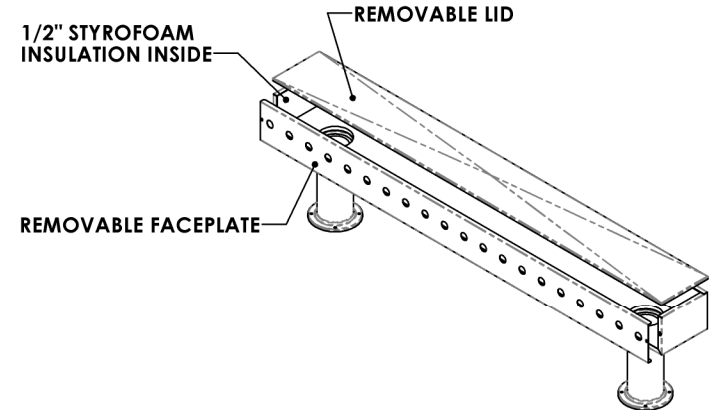
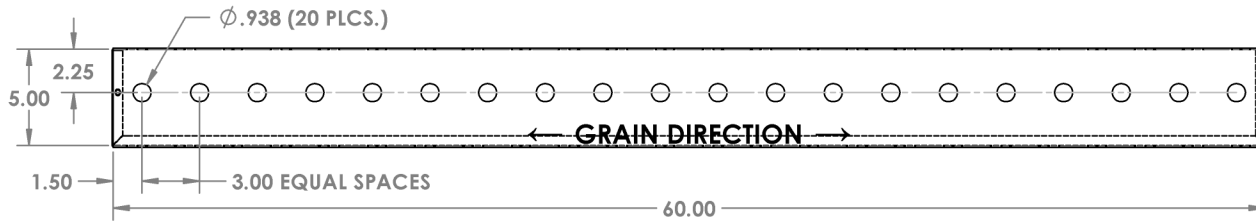
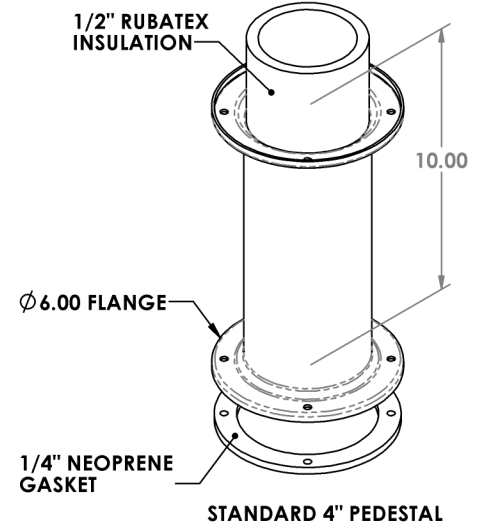
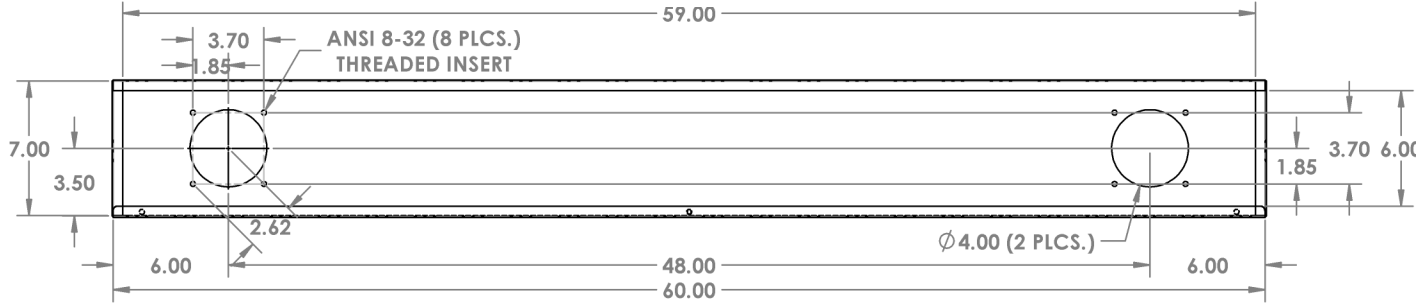


CHANGE DIMENSIONS AS NEEDED FOR CUSTOM T-TOWERS

REV. NO.		REVISIONS	DATE	APPROVED

Precision Sheet Metal
 Design ♦ Engineering ♦ Fabrication
 www.acumetalfab.com



NOTES:

**ALL DIMENSIONS ARE INSIDE DIMENSIONS
 (UNLESS OTHERWISE NOTED)**

***FAUCET HARDWARE NOT INCLUDED**

PROPRIETARY AND CONFIDENTIAL

THE INFORMATION CONTAINED IN THIS DRAWING IS THE SOLE PROPERTY OF ACU PRECISION SHEET METAL. ANY REPRODUCTION IN PART OR AS A WHOLE WITHOUT THE WRITTEN PERMISSION OF ACU PRECISION SHEET METAL IS PROHIBITED.

ACU PRECISION SHEET METAL IS:
 AMERICAN COFFEE URN MANUFACTURING CO., INC

	NAME	DATE
DRAWN	L. WILLIAMS	08/16
MATERIAL	18 GA. 304 STAINLESS STEEL	
FINISH	#4 BRUSHED	

DO NOT SCALE DRAWING

TITLE:
**4" T-TOWER
 60" T-TOWER BOX*
 W/ 20 HOLE FACEPLATE
 DOUBLE PEDESTAL
 AMERICAN COFFEE URN**

PART # 1003-60-20Hole-SS4