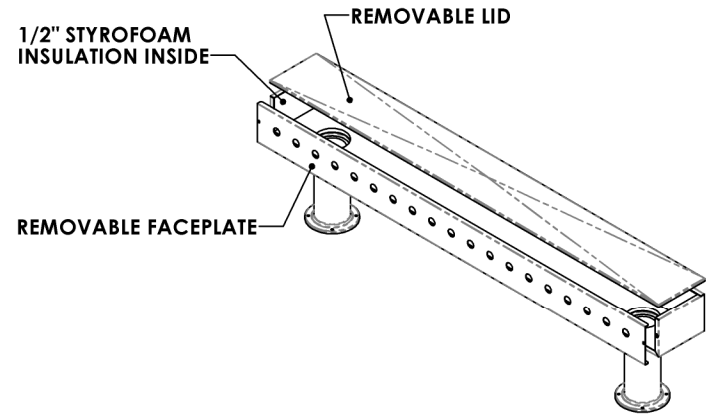
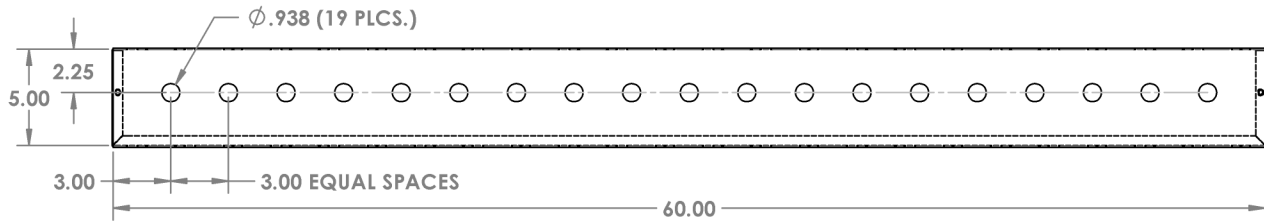
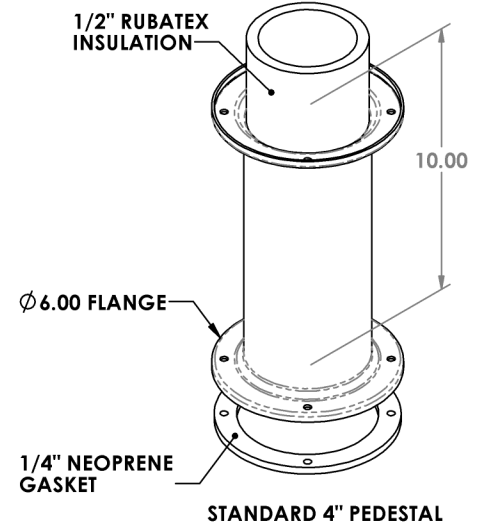
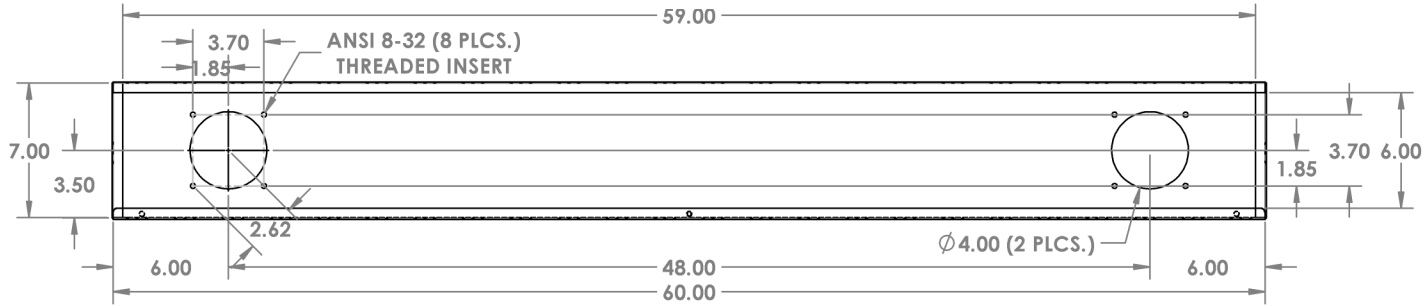


**CHANGE DIMENSIONS AS NEEDED FOR CUSTOM T-TOWERS**

REV. NO.		REVISIONS	DATE	APPROVED

**Precision Sheet Metal**  
 Design ♦ Engineering ♦ Fabrication  
 www.acumetalfab.com



**NOTES:**

**ALL DIMENSIONS ARE INSIDE DIMENSIONS (UNLESS OTHERWISE NOTED)**

**\*FAUCET HARDWARE NOT INCLUDED**

**PROPRIETARY AND CONFIDENTIAL**

THE INFORMATION CONTAINED IN THIS DRAWING IS THE SOLE PROPERTY OF ACU PRECISION SHEET METAL. ANY REPRODUCTION IN PART OR AS A WHOLE WITHOUT THE WRITTEN PERMISSION OF ACU PRECISION SHEET METAL IS PROHIBITED.

ACU PRECISION SHEET METAL IS :  
 AMERICAN COFFEE URN MANUFACTURING CO., INC

	NAME	DATE	TITLE:
<b>DRAWN</b>	L. WILLIAMS	08/16	<b>4" T-TOWER</b> <b>60" T-TOWER BOX*</b> <b>W/ 19 HOLE FACEPLATE</b> <b>DOUBLE PEDESTAL</b> <b>AMERICAN COFFEE URN</b>
<b>MATERIAL</b>	16 GA. BRASS		
<b>FINISH</b>	#8 POLISHED		

**PART # 1013-60-19Hole-B**