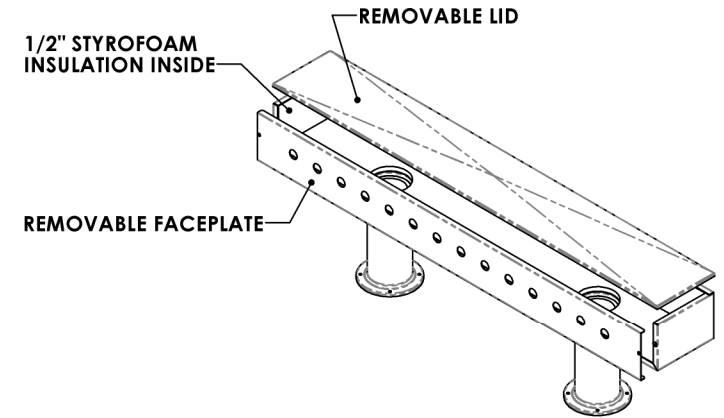
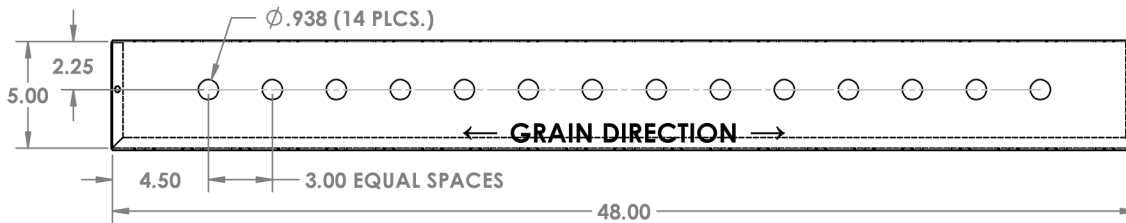
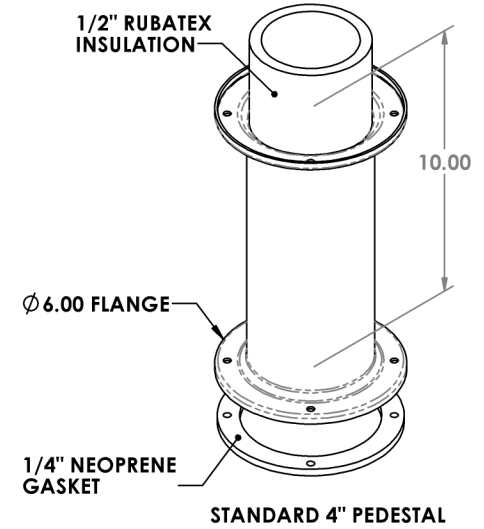
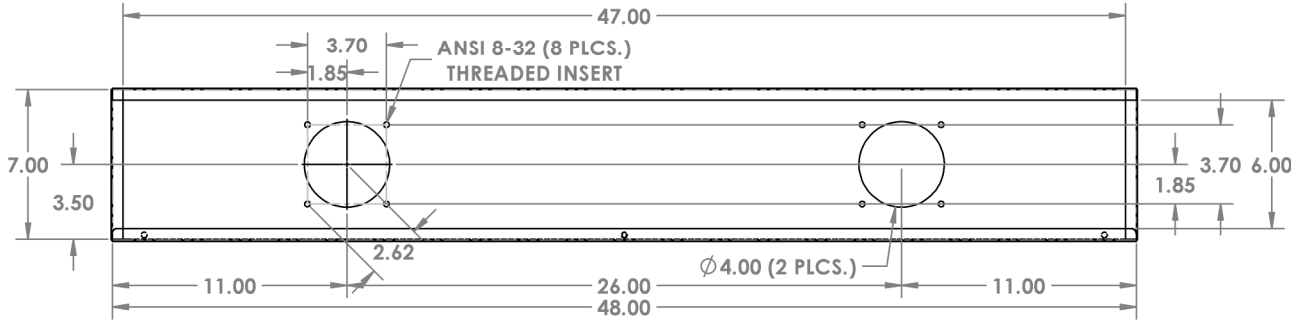


**CHANGE DIMENSIONS AS NEEDED FOR CUSTOM T-TOWERS**

| REV. NO. |      | REVISIONS   | DATE | APPROVED |
|----------|------|-------------|------|----------|
| ZONE     | REV. | DESCRIPTION |      |          |
|          |      |             |      |          |
|          |      |             |      |          |

**Precision Sheet Metal**  
 Design ♦ Engineering ♦ Fabrication  
 www.acumetalfab.com



**NOTES:**

**ALL DIMENSIONS ARE INSIDE DIMENSIONS (UNLESS OTHERWISE NOTED)**

**\*FAUCET HARDWARE NOT INCLUDED**

PROPRIETARY AND CONFIDENTIAL  
 THE INFORMATION CONTAINED IN THIS DRAWING IS THE SOLE PROPERTY OF ACU PRECISION SHEET METAL. ANY REPRODUCTION IN PART OR AS A WHOLE WITHOUT THE WRITTEN PERMISSION OF ACU PRECISION SHEET METAL IS PROHIBITED.  
 ACU PRECISION SHEET METAL IS :  
 AMERICAN COFFEE URN MANUFACTURING CO., INC

|          | NAME                       | DATE  |
|----------|----------------------------|-------|
| DRAWN    | L. WILLIAMS                | 08/16 |
| MATERIAL | 18 GA. 304 STAINLESS STEEL |       |
| FINISH   | #4 BRUSHED                 |       |

| TITLE:  |
|---|
| <b>4" T-TOWER<br/>48" T-TOWER BOX*<br/>W/ 14 HOLE FACEPLATE<br/>DOUBLE PEDESTAL<br/>AMERICAN COFFEE URN</b> |