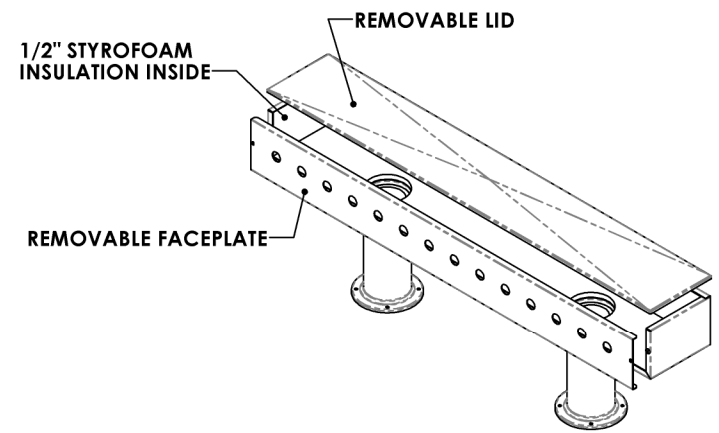
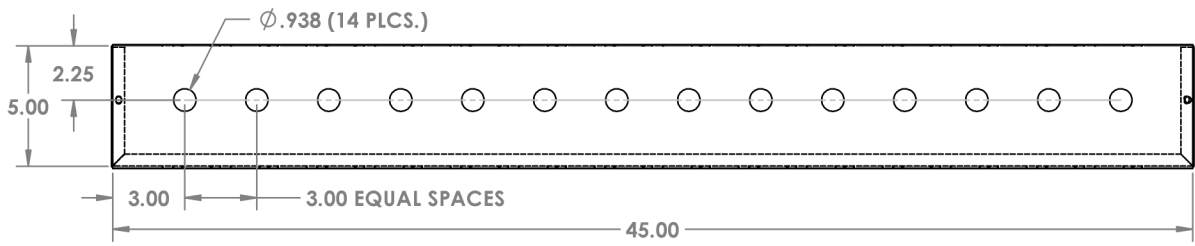
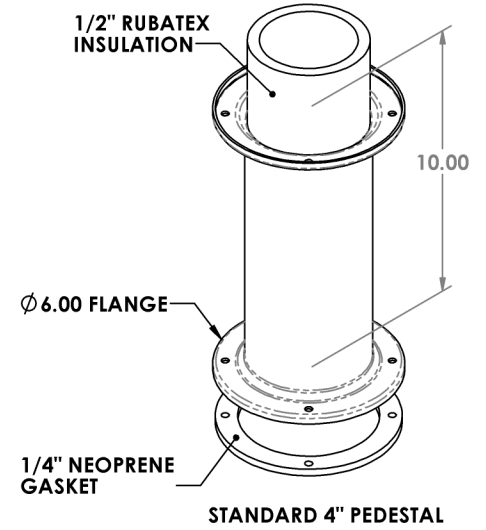
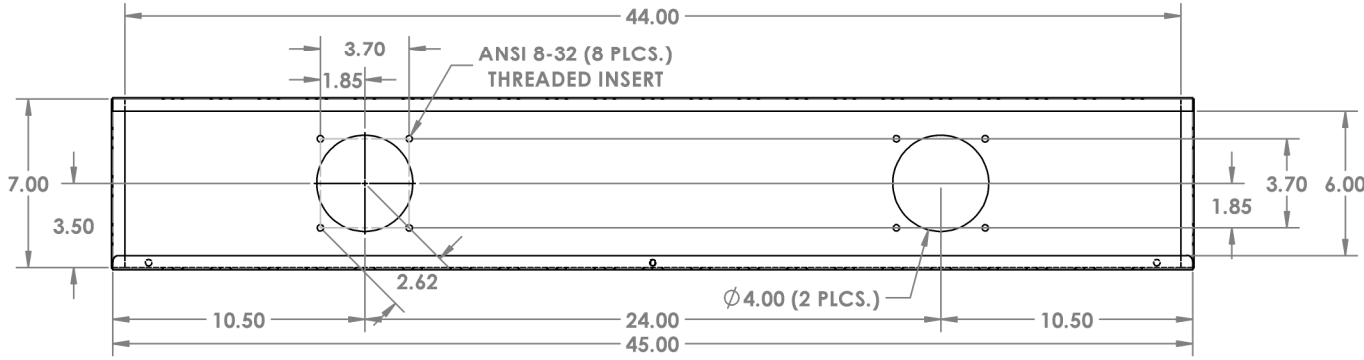


CHANGE DIMENSIONS AS NEEDED FOR CUSTOM T-TOWERS

REV. NO.		REVISIONS	DATE	APPROVED
		DESCRIPTION		

Precision Sheet Metal
 Design ♦ Engineering ♦ Fabrication
 www.acumetalfab.com



NOTES:

ALL DIMENSIONS ARE INSIDE DIMENSIONS (UNLESS OTHERWISE NOTED)

***FAUCET HARDWARE NOT INCLUDED**

PART # 1022-45-14Hole-SS8

PROPRIETARY AND CONFIDENTIAL		NAME	DATE	TITLE: 4" T-TOWER 45" T-TOWER BOX* W/ 14 HOLE FACEPLATE DOUBLE PEDESTAL AMERICAN COFFEE URN
THE INFORMATION CONTAINED IN THIS DRAWING IS THE SOLE PROPERTY OF ACU PRECISION SHEET METAL. ANY REPRODUCTION IN PART OR AS A WHOLE WITHOUT THE WRITTEN PERMISSION OF ACU PRECISION SHEET METAL IS PROHIBITED.		L. WILLIAMS	08/16	
MATERIAL		18 GA. 304 STAINLESS STEEL		
FINISH		#8 POLISHED		
ACU PRECISION SHEET METAL IS : AMERICAN COFFEE URN MANUFACTURING CO., INC		DO NOT SCALE DRAWING		