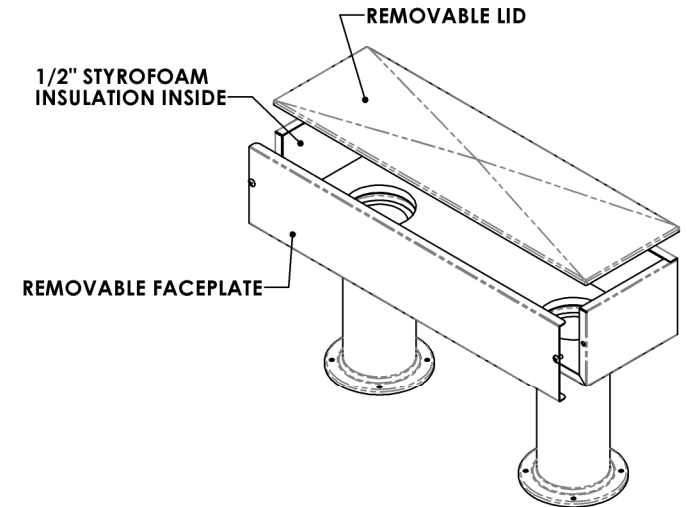
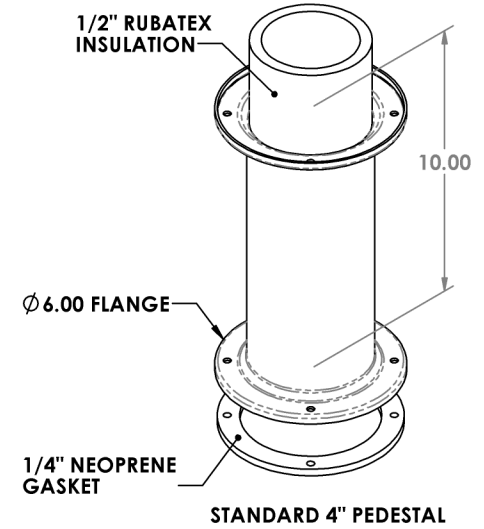
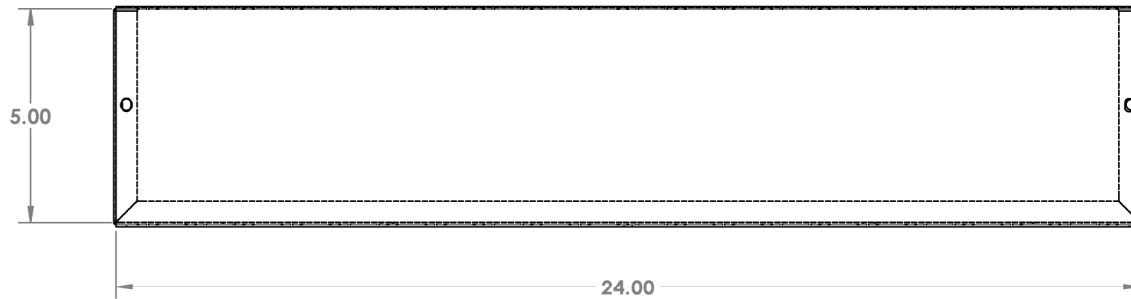
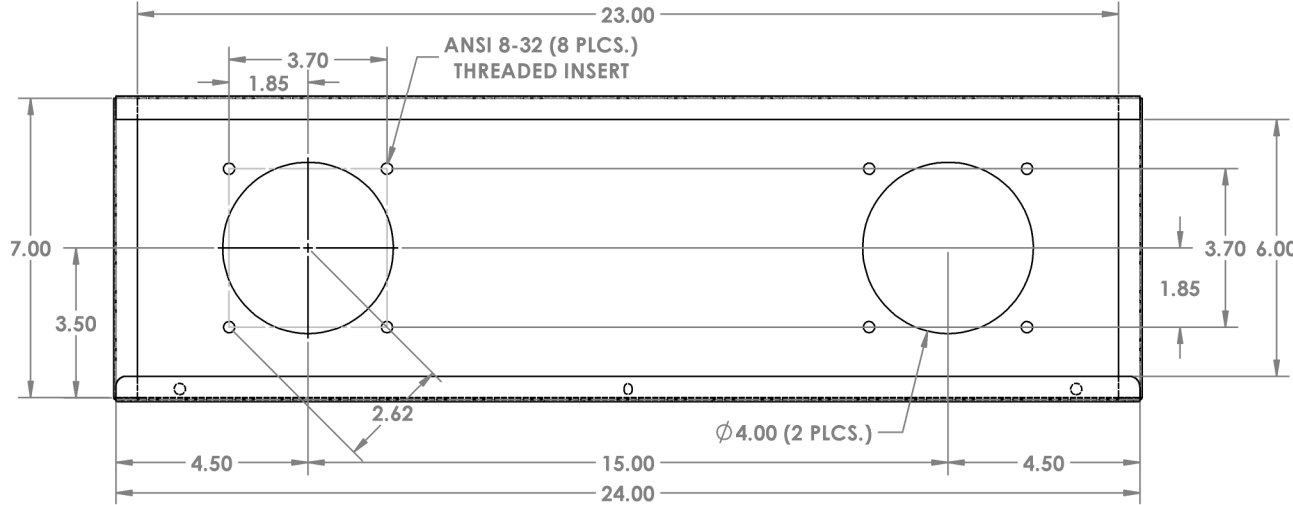


CHANGE DIMENSIONS AS NEEDED FOR CUSTOM T-TOWERS

| REV. NO. | | REVISIONS | DATE | APPROVED |
|----------|------|-------------|------|----------|
| ZONE | REV. | DESCRIPTION | | |
| | | | | |
| | | | | |

Precision Sheet Metal
 Design ♦ Engineering ♦ Fabrication
 www.acumetalfab.com



NOTES:

ALL DIMENSIONS ARE INSIDE DIMENSIONS (UNLESS OTHERWISE NOTED)

***FAUCET HARDWARE NOT INCLUDED**

PROPRIETARY AND CONFIDENTIAL
 THE INFORMATION CONTAINED IN THIS DRAWING IS THE SOLE PROPERTY OF ACU PRECISION SHEET METAL. ANY REPRODUCTION IN PART OR AS A WHOLE WITHOUT THE WRITTEN PERMISSION OF ACU PRECISION SHEET METAL IS PROHIBITED.
 ACU PRECISION SHEET METAL IS :
 AMERICAN COFFEE URN MANUFACTURING CO., INC

| | NAME | DATE |
|----------|--------------|-------|
| DRAWN | L. WILLIAMS | 08/16 |
| MATERIAL | 16 GA. BRASS | |
| FINISH | #8 POLISHED | |

TITLE:
**4" T-TOWER
 24" T-TOWER BOX*
 W/ NO HOLE FACEPLATE
 DOUBLE PEDESTAL
 AMERICAN COFFEE URN**

PART # 1013-24-NoHole-B