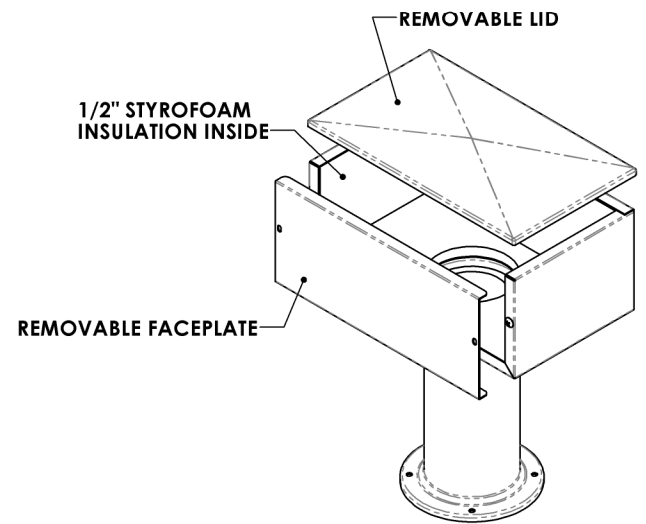
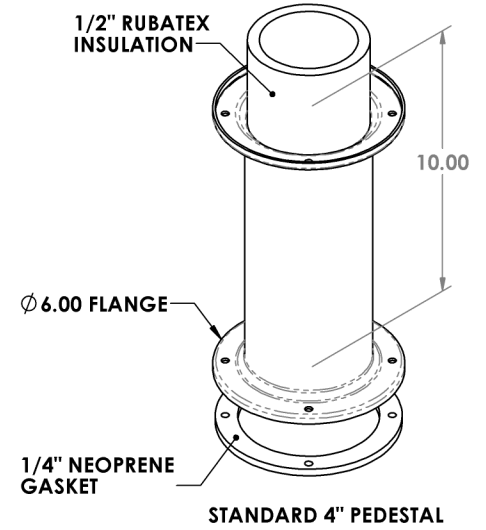
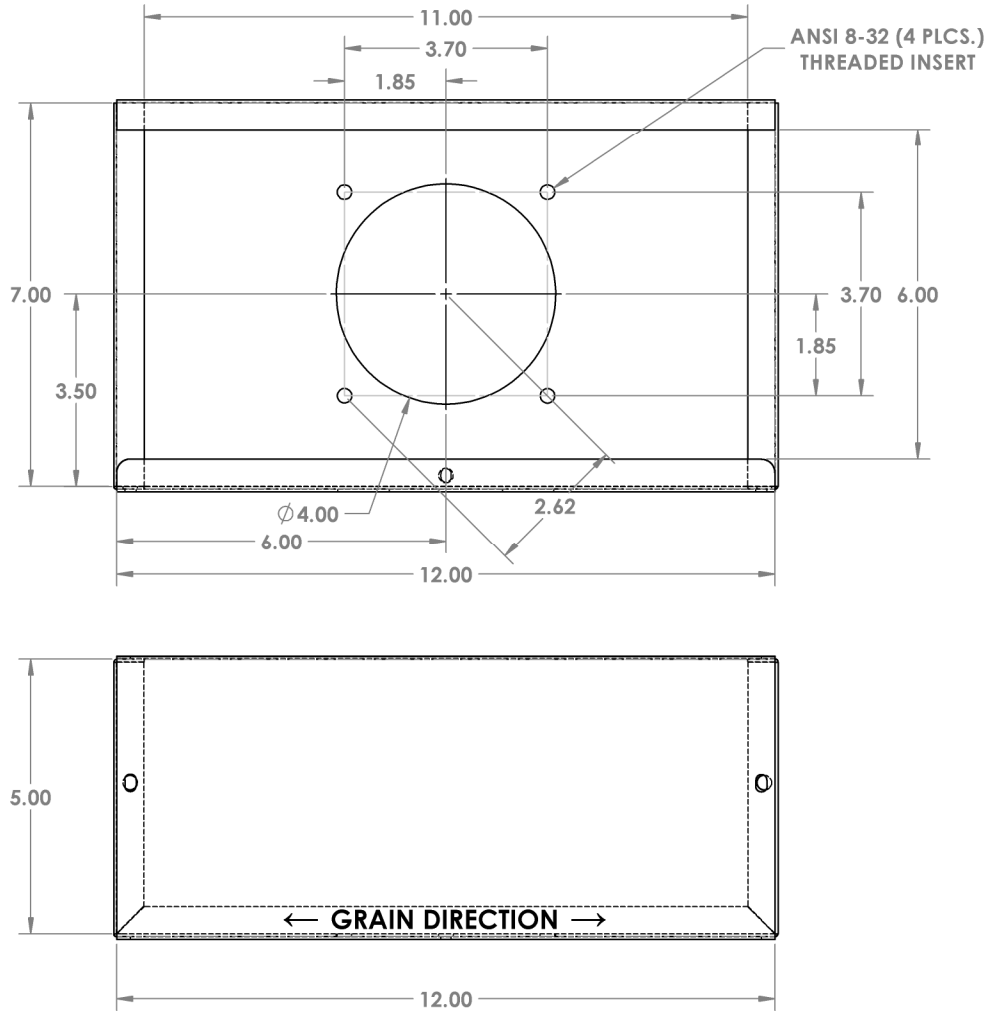


CHANGE DIMENSIONS AS NEEDED FOR CUSTOM T-TOWERS

| REV. NO. | | REVISIONS | DATE | APPROVED |
|----------|----|-------------|------|----------|
| DATE | BY | DESCRIPTION | | |
| | | | | |
| | | | | |

Precision Sheet Metal
 Design ♦ Engineering ♦ Fabrication
 www.acumetalfab.com



NOTES:

ALL DIMENSIONS ARE INSIDE DIMENSIONS (UNLESS OTHERWISE NOTED)

***FAUCET HARDWARE NOT INCLUDED**

PROPRIETARY AND CONFIDENTIAL

THE INFORMATION CONTAINED IN THIS DRAWING IS THE SOLE PROPERTY OF ACU PRECISION SHEET METAL. ANY REPRODUCTION IN PART OR AS A WHOLE WITHOUT THE WRITTEN PERMISSION OF ACU PRECISION SHEET METAL IS PROHIBITED.

ACU PRECISION SHEET METAL IS :
 AMERICAN COFFEE URN MANUFACTURING CO., INC

| | NAME | DATE |
|-----------------|----------------------------|-------|
| DRAWN | L. WILLIAMS | 08/16 |
| MATERIAL | 18 GA. 304 STAINLESS STEEL | |
| FINISH | #4 BRUSHED | |

DO NOT SCALE DRAWING

TITLE:
4" T-TOWER
12" T-TOWER BOX*
W/ NO HOLE FACEPLATE
SINGLE PEDESTAL
AMERICAN COFFEE URN

PART # 1002-12-NoHole-SS4