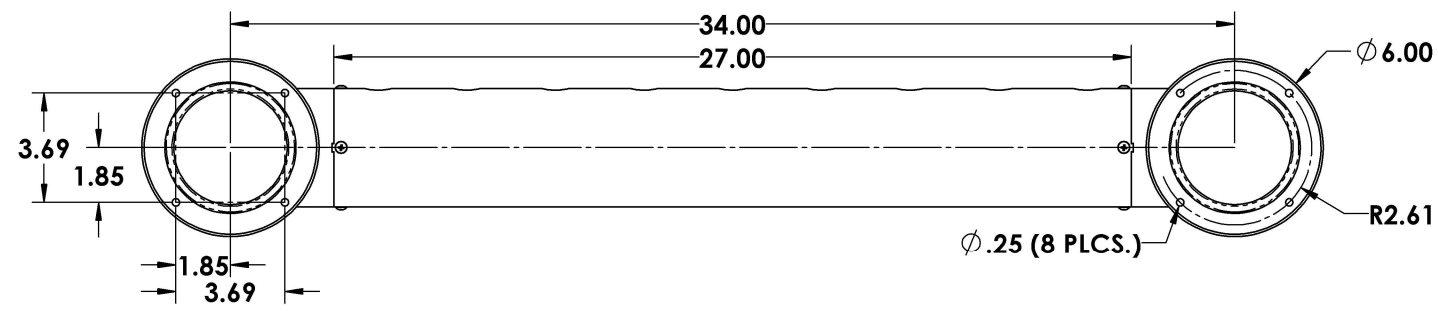
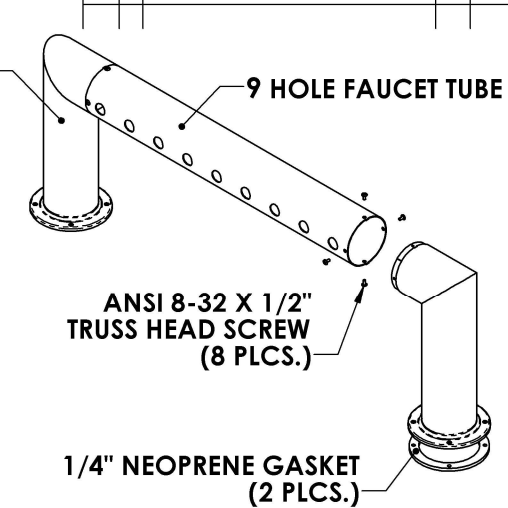
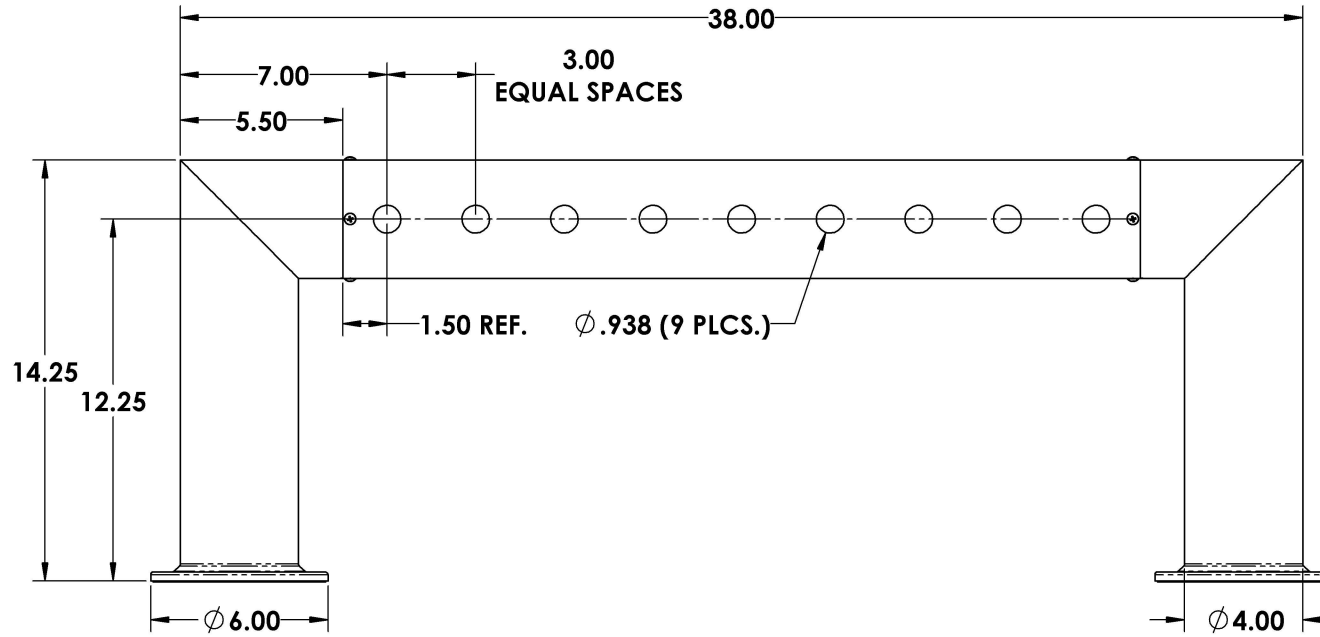


**CHANGE DIMENSIONS AS NEEDED FOR CUSTOM TOWERS**

REV. NO.		REVISIONS	DATE	APPROVED



**PART # 81024-38**

**NOTES:**

**ALL DIMENSIONS ARE OUTSIDE DIMENSIONS (UNLESS OTHERWISE NOTED)**

**PROPRIETARY AND CONFIDENTIAL**  
 THE INFORMATION CONTAINED IN THIS DRAWING IS THE SOLE PROPERTY OF ACU PRECISION SHEET METAL. ANY REPRODUCTION IN PART OR AS A WHOLE WITHOUT THE WRITTEN PERMISSION OF ACU PRECISION SHEET METAL IS PROHIBITED.  
 ACU PRECISION SHEET METAL IS : AMERICAN COFFEE URN MANUFACTURING CO., INC

	NAME	DATE
<b>DRAWN</b>	L. WILLIAMS	08/20
<b>MATERIAL</b>	304 STAINLESS STEEL	
<b>FINISH</b>	#8 POLISHED	
<b>REFERENCE</b>	81024-38-9	

TITLE:
<b>4" PASS THRU TOWER 38" PASS THRU ASSEMBLY 9 HOLE</b>
<b>AMERICAN COFFEE URN</b>