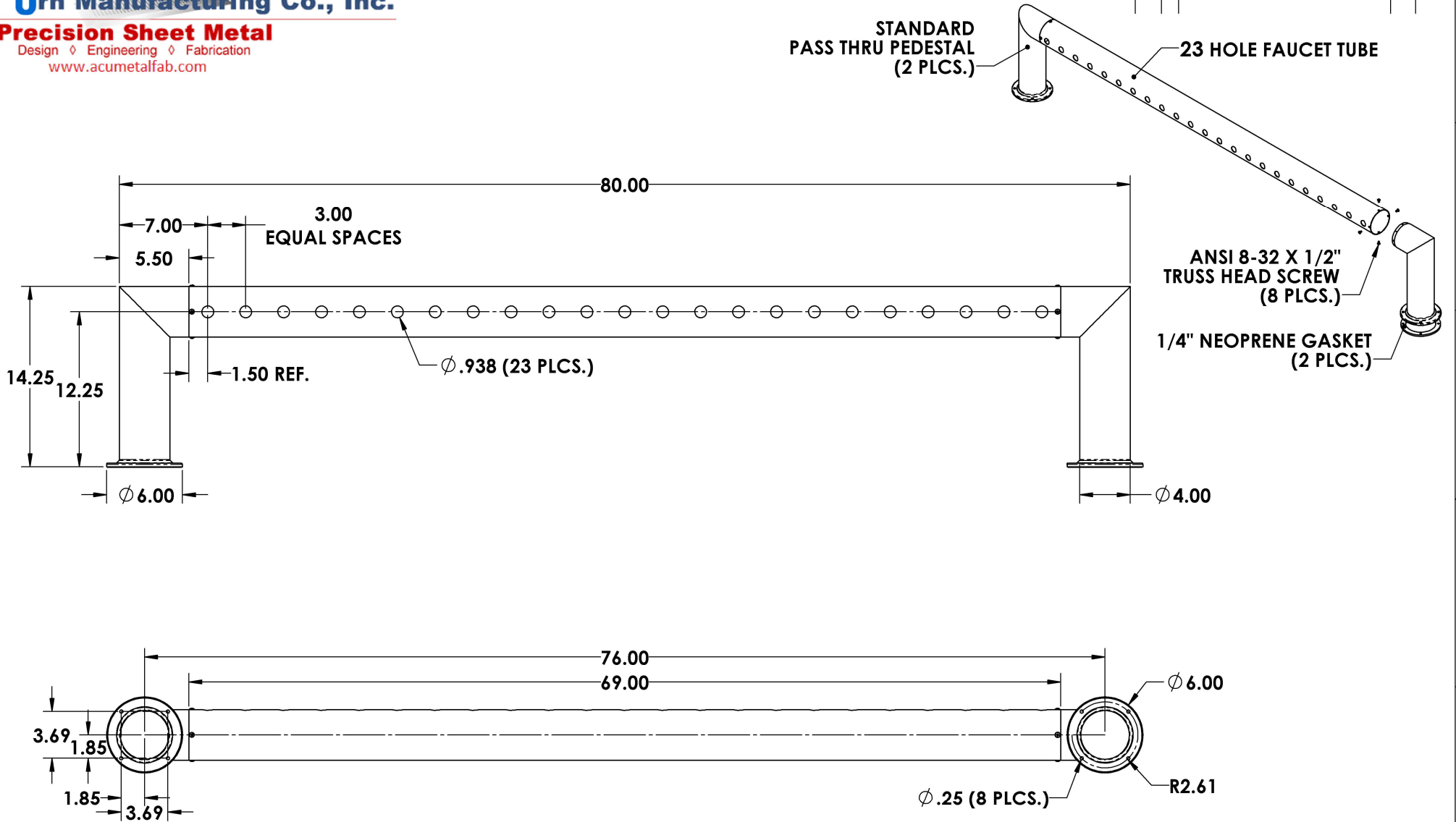


**CHANGE DIMENSIONS AS NEEDED FOR CUSTOM TOWERS**

		REVISIONS			
ZONE	REV.	DESCRIPTION	DATE	APPROVED	



**PART # 1024-80**

**NOTES:**

**ALL DIMENSIONS ARE OUTSIDE DIMENSIONS (UNLESS OTHERWISE NOTED)**

**www.acumetalfab.com**

PROPRIETARY AND CONFIDENTIAL  
 THE INFORMATION CONTAINED IN THIS DRAWING IS THE SOLE PROPERTY OF ACU PRECISION SHEET METAL. ANY REPRODUCTION IN PART OR AS A WHOLE WITHOUT THE WRITTEN PERMISSION OF ACU PRECISION SHEET METAL IS PROHIBITED.  
 ACU PRECISION SHEET METAL IS : AMERICAN COFFEE URN MANUFACTURING CO., INC

	NAME	DATE
<b>DRAWN</b>	L. WILLIAMS	02/20
<b>MATERIAL</b>	304 STAINLESS STEEL	
<b>FINISH</b>	#4 BRUSHED	
<b>REFERENCE</b>	1024-80-23	

TITLE:
<b>4" PASS THRU TOWER 80" PASS THRU ASSEMBLY 23 HOLE</b>
<b>AMERICAN COFFEE URN</b>