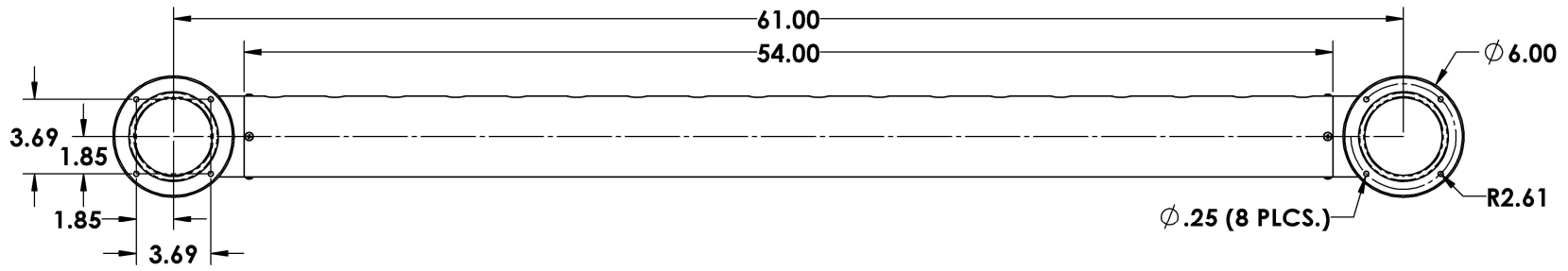
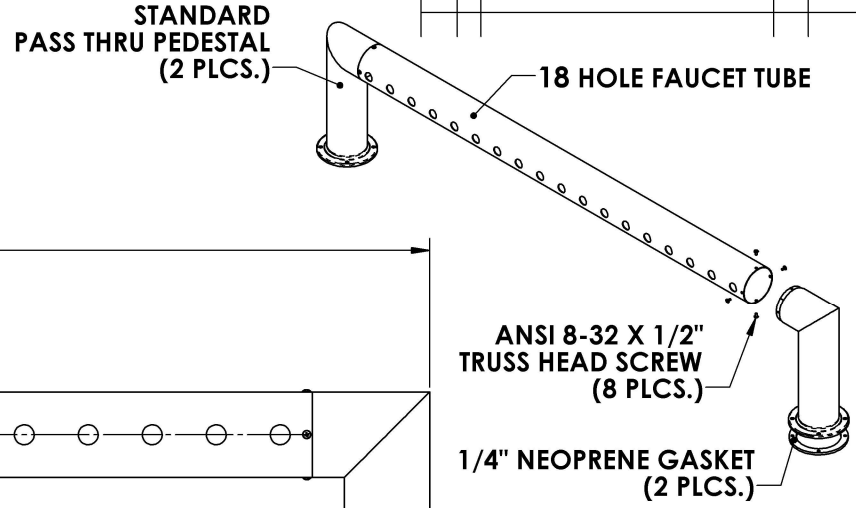
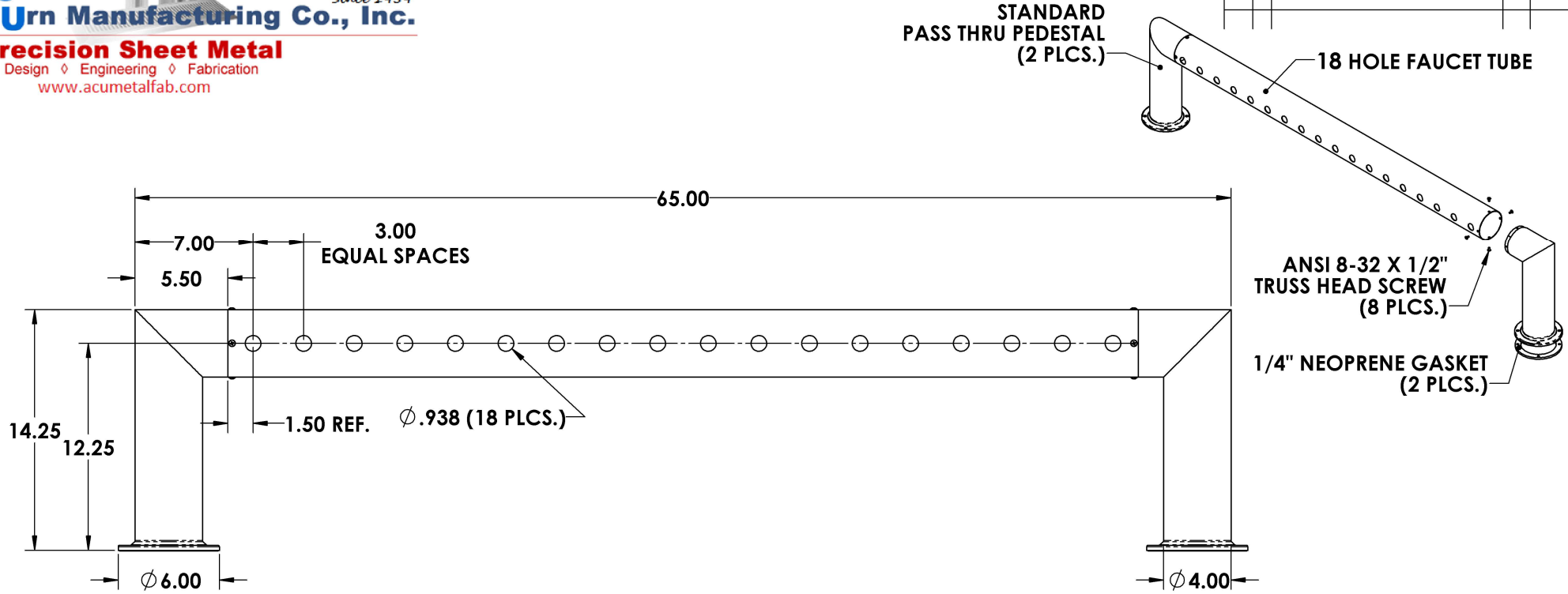


**CHANGE DIMENSIONS AS NEEDED FOR CUSTOM TOWERS**

REV. NO.		REVISIONS	DATE	APPROVED



**PART # 81024-65**

**NOTES:**  
 ALL DIMENSIONS ARE OUTSIDE DIMENSIONS  
 (UNLESS OTHERWISE NOTED)

PROPRIETARY AND CONFIDENTIAL  
 THE INFORMATION CONTAINED IN THIS  
 DRAWING IS THE SOLE PROPERTY OF  
 ACU PRECISION SHEET METAL. ANY  
 REPRODUCTION IN PART OR AS A WHOLE  
 WITHOUT THE WRITTEN PERMISSION OF  
 ACU PRECISION SHEET METAL IS  
 PROHIBITED.  
 ACU PRECISION SHEET METAL IS :  
 AMERICAN COFFEE URN MANUFACTURING CO., INC

	NAME	DATE
<b>DRAWN</b>	L. WILLIAMS	10/17
<b>MATERIAL</b>	304 STAINLESS STEEL	
<b>FINISH</b>	#8 POLISHED	
<b>REFERENCE</b>	81024-65-18	

TITLE:
<b>4" PASS THRU TOWER          65" PASS THRU ASSEMBLY          18 HOLE</b>
<b>AMERICAN COFFEE URN</b>