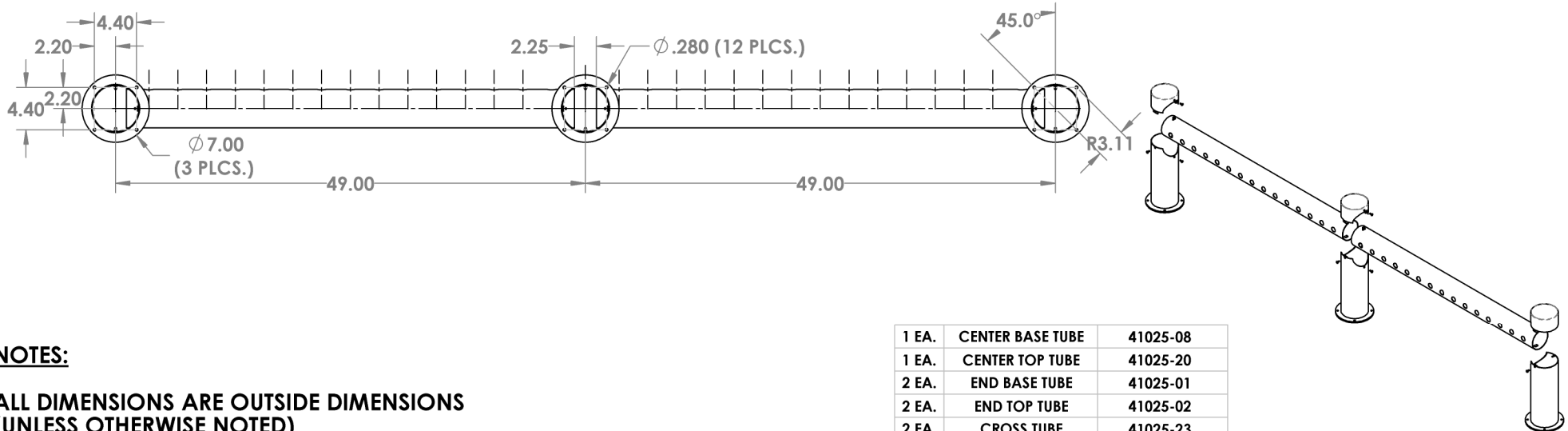
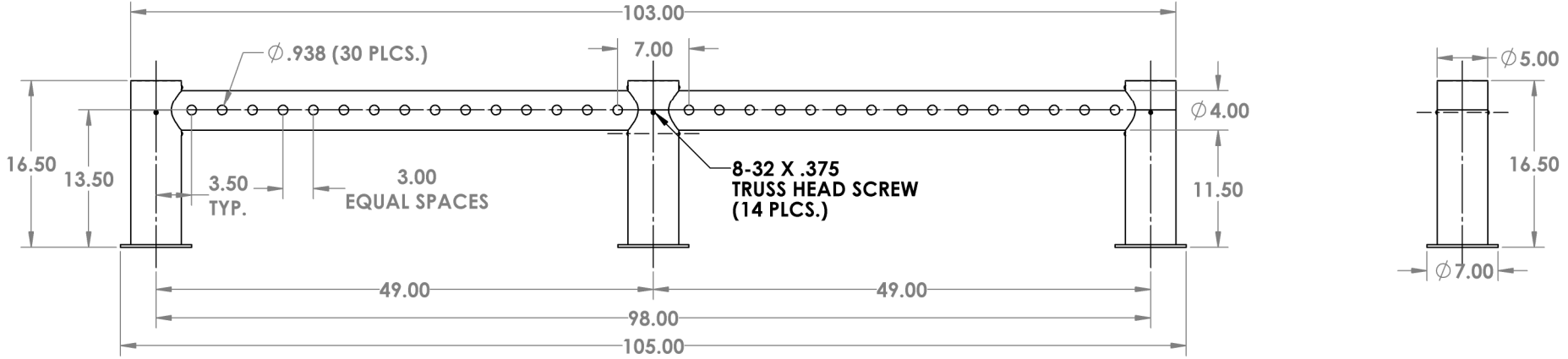


REV. NO.		REVISIONS	DATE	APPROVED
ZONE	REV.	DESCRIPTION		

Precision Sheet Metal
 Design ♦ Engineering ♦ Fabrication
 www.acumetalfab.com



NOTES:

ALL DIMENSIONS ARE OUTSIDE DIMENSIONS (UNLESS OTHERWISE NOTED)

MATERIAL:

- Ø 4.00 X .06 WALL 304 STAINLESS STEEL TUBE
- Ø 5.00 X .06 WALL 304 STAINLESS STEEL TUBE

1 EA.	CENTER BASE TUBE	41025-08
1 EA.	CENTER TOP TUBE	41025-20
2 EA.	END BASE TUBE	41025-01
2 EA.	END TOP TUBE	41025-02
2 EA.	CROSS TUBE	41025-23

PART # 41025-MT103

PROPRIETARY AND CONFIDENTIAL
 THE INFORMATION CONTAINED IN THIS DRAWING IS THE SOLE PROPERTY OF ACU PRECISION SHEET METAL. ANY REPRODUCTION IN PART OR AS A WHOLE WITHOUT THE WRITTEN PERMISSION OF ACU PRECISION SHEET METAL IS PROHIBITED.
 ACU PRECISION SHEET METAL IS :
 AMERICAN COFFEE URN MANUFACTURING CO., INC

	NAME	DATE
DRAWN	L. WILLIAMS	07/18
MATERIAL	SEE NOTES	
FINISH	#4 BRUSHED	

TITLE:
4 X 5 METRO TOWER 30 HOLE, 103" M-TOWER
AMERICAN COFFEE URN