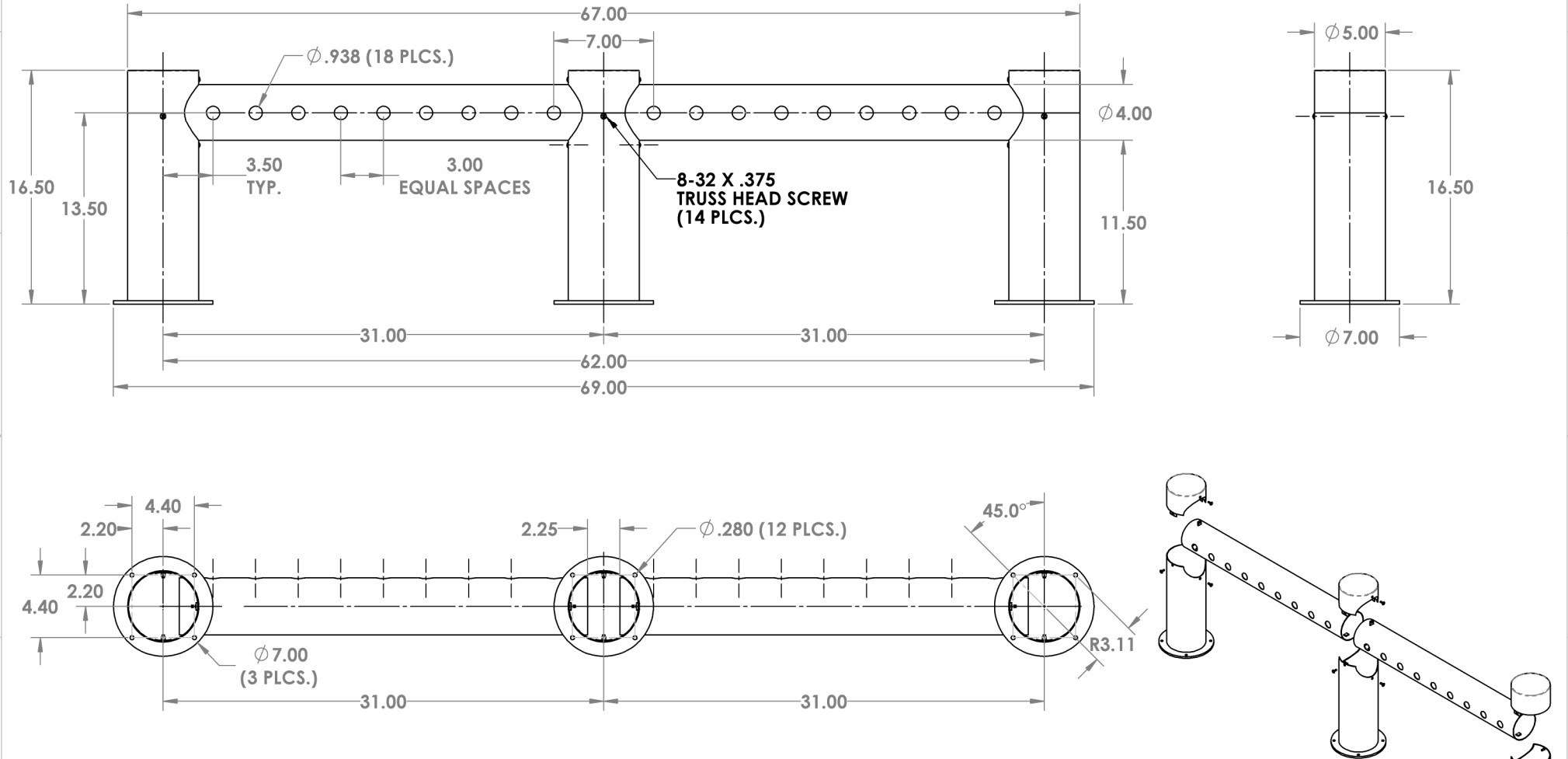


| REV. NO. |    | REVISIONS   | DATE | APPROVED |
|----------|----|-------------|------|----------|
| DATE     | BY | DESCRIPTION |      |          |
|          |    |             |      |          |
|          |    |             |      |          |

**Precision Sheet Metal**  
 Design ♦ Engineering ♦ Fabrication  
 www.acumetalfab.com



**NOTES:**

**ALL DIMENSIONS ARE OUTSIDE DIMENSIONS (UNLESS OTHERWISE NOTED)**

**MATERIAL:**

- Ø 4.00 X .06 WALL 304 STAINLESS STEEL TUBE
- Ø 5.00 X .06 WALL 304 STAINLESS STEEL TUBE

|       |                  |          |
|-------|------------------|----------|
| 1 EA. | CENTER BASE TUBE | 41025-08 |
| 1 EA. | CENTER TOP TUBE  | 41025-20 |
| 2 EA. | END BASE TUBE    | 41025-01 |
| 2 EA. | END TOP TUBE     | 41025-02 |
| 2 EA. | CROSS TUBE       | 41025-24 |

**PART # 41025-MT67**

**PROPRIETARY AND CONFIDENTIAL**  
 THE INFORMATION CONTAINED IN THIS DRAWING IS THE SOLE PROPERTY OF ACU PRECISION SHEET METAL. ANY REPRODUCTION IN PART OR AS A WHOLE WITHOUT THE WRITTEN PERMISSION OF ACU PRECISION SHEET METAL IS PROHIBITED.  
 ACU PRECISION SHEET METAL IS :  
 AMERICAN COFFEE URN MANUFACTURING CO., INC

|          | NAME        | DATE  |
|----------|-------------|-------|
| DRAWN    | L. WILLIAMS | 07/18 |
| MATERIAL | SEE NOTES   |       |
| FINISH   | #4 BRUSHED  |       |

| TITLE:  |
|---|
| <b>4 X 5 METRO TOWER<br/>18 HOLE, 67" M-TOWER</b> |
| <b>AMERICAN COFFEE URN</b>                        |