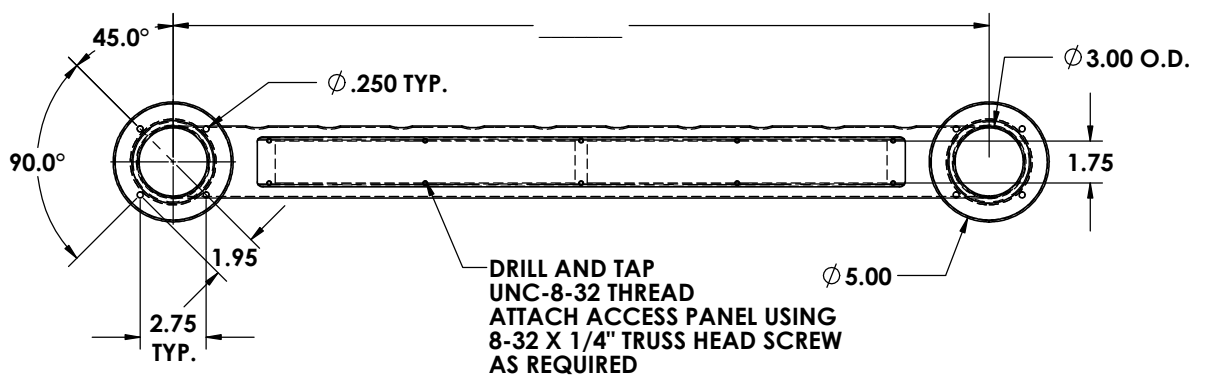
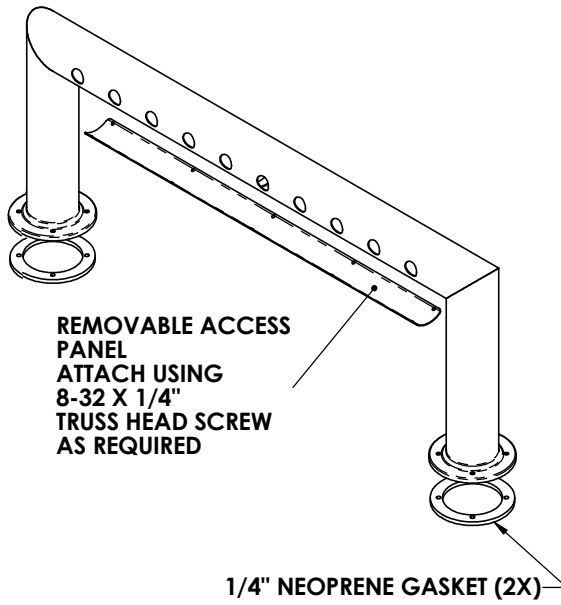
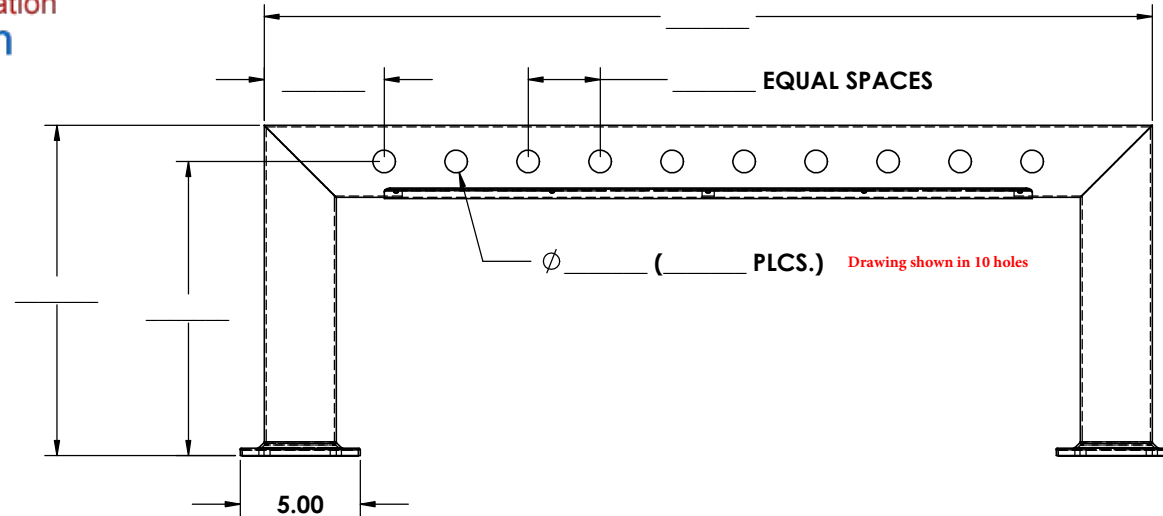


Please Fill in the desired measurements below:

| REV. NO. | | REVISIONS | DATE | APPROVED |
|----------|------|-------------|------|----------|
| ZONE | REV. | DESCRIPTION | | |
| | | | | |
| | | | | |



Please Circle the desired options Below:

ALL DIMENSIONS ARE INSIDE DIMENSIONS UNLESS OTHERWISE NOTED

MATERIAL :

- 3" X .060 WALL STAINLESS STEEL TUBING
- 3" X .060 WALL BRASS TUBING

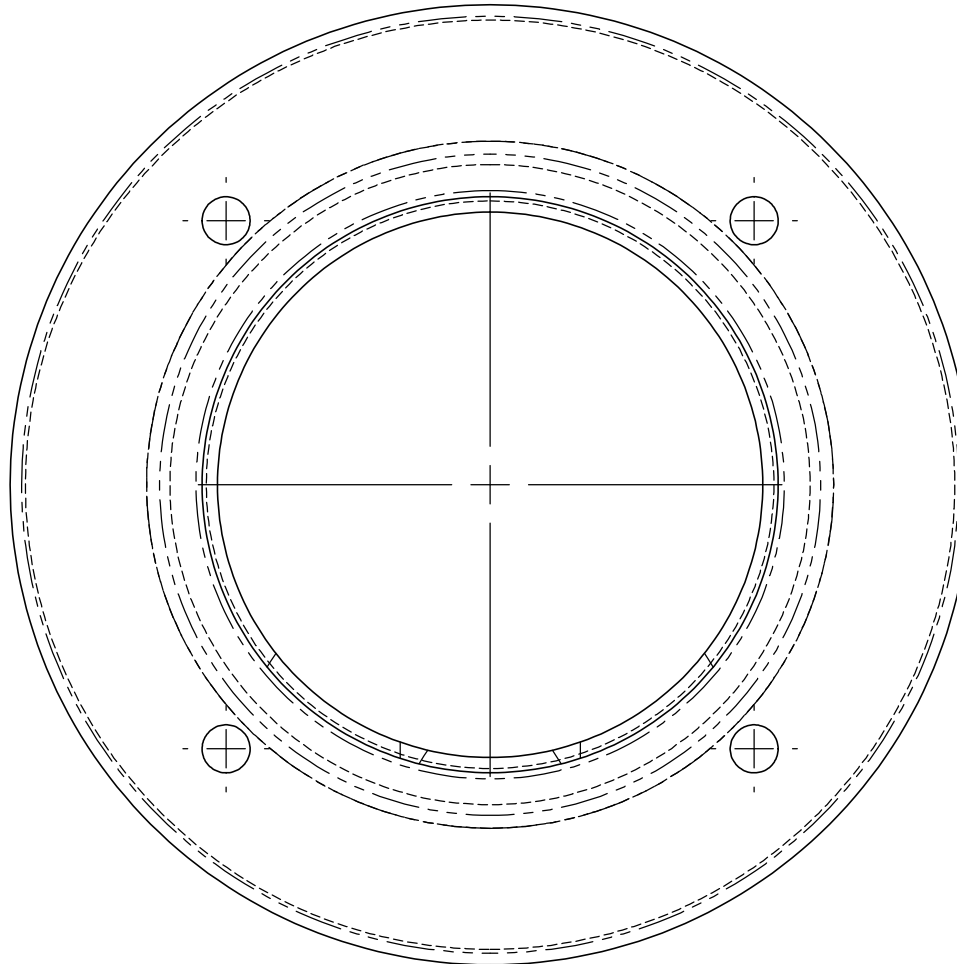
FINISHES :

- #4 BRUSHED ON ALL TYPES
- #8 POLISHED ON ALL TYPES

Proprietary and Confidential
 The Information contained in this drawing is the sole property of ACU Precision Sheet Metal. Any reproduction in part or as a whole without the written permission of ACU Precision Sheet Metal is Prohibited.
 ACU Precision Sheet Metal is:
 American Coffee Urn Manufacturing Co., Inc.

| NAME | DATE | TITLE: |
|-----------|-----------|---|
| M. Johs | 07/14 | CUSTOM 3" PASS THROUGH TOWER |
| SEE NOTES | | |
| FINISH | SEE NOTES | AMERICAN COFFEE URN |
| COMMENTS: | | |

3" PEDESTAL AND DRAFT ARM TEMPLATE



SCALE 1:1

Set printer settings to : Page Scaling = "None"