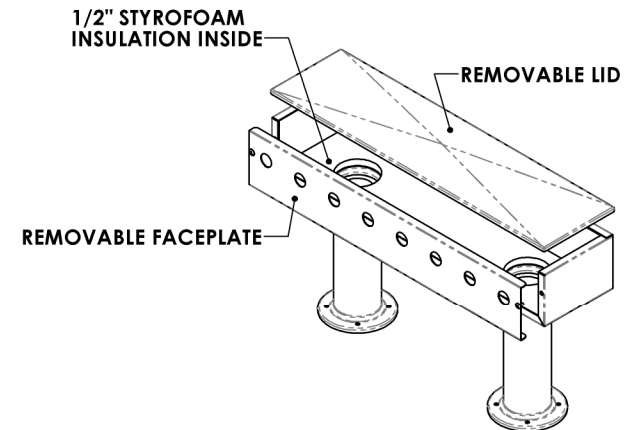
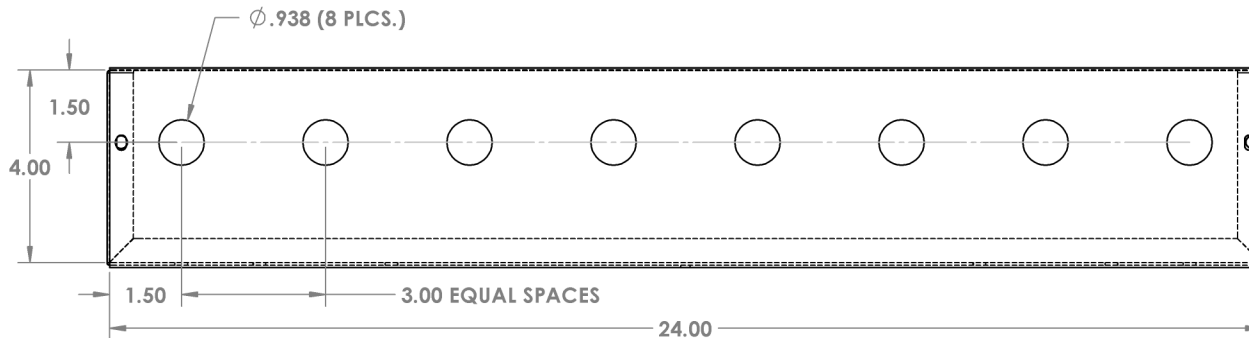
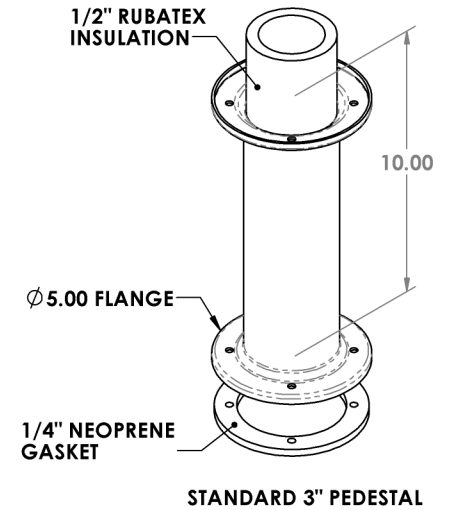
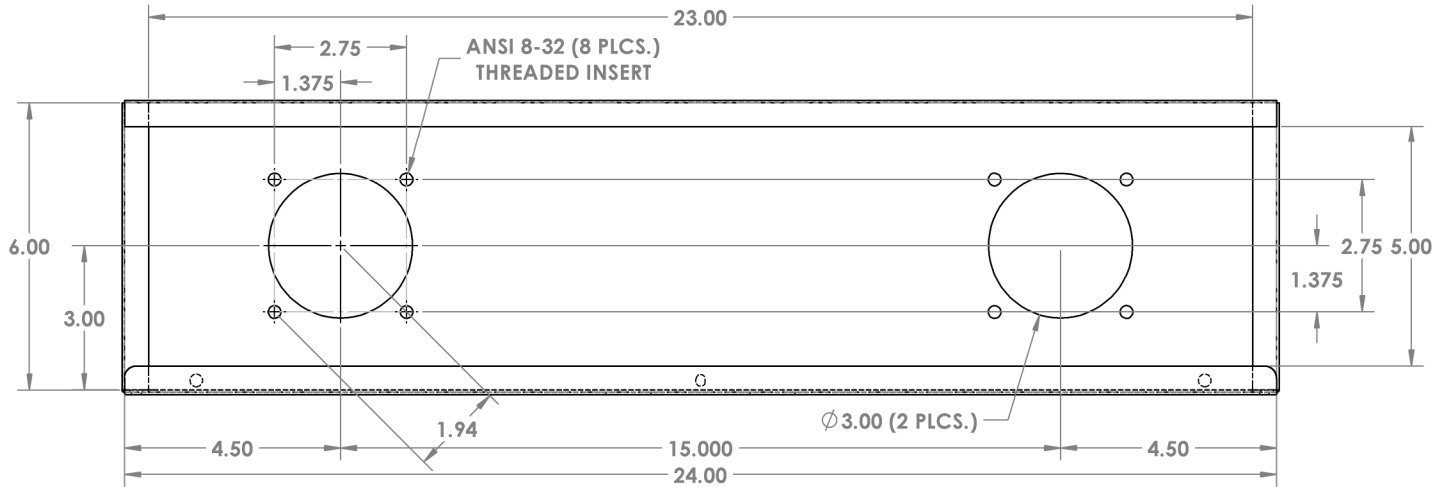


**CHANGE DIMENSIONS AS NEEDED FOR CUSTOM T-TOWERS**

		REVISIONS			
DATE	REV.	DESCRIPTION	DATE	APPROVED	

**Precision Sheet Metal**  
 Design ♦ Engineering ♦ Fabrication  
 www.acumetalfab.com



**NOTES:**

**ALL DIMENSIONS ARE INSIDE DIMENSIONS  
 (UNLESS OTHERWISE NOTED)**

**\*FAUCET HARDWARE NOT INCLUDED**

**PROPRIETARY AND CONFIDENTIAL**

THE INFORMATION CONTAINED IN THIS DRAWING IS THE SOLE PROPERTY OF ACU PRECISION SHEET METAL. ANY REPRODUCTION IN PART OR AS A WHOLE WITHOUT THE WRITTEN PERMISSION OF ACU PRECISION SHEET METAL IS PROHIBITED.

ACU PRECISION SHEET METAL IS:  
 AMERICAN COFFEE URN MANUFACTURING CO., INC

	NAME	DATE
<b>DRAWN</b>	L. WILLIAMS	08/16
<b>MATERIAL</b>	18 GA. 304 STAINLESS STEEL	
<b>FINISH</b>	#8 POLISHED	

TITLE:
<b>3" T-TOWER                  24" T-TOWER BOX*                  W/ 8 HOLE FACEPLATE                  DOUBLE PEDESTAL                  AMERICAN COFFEE URN</b>

**PART # 1020-24-8Hole-SS8**