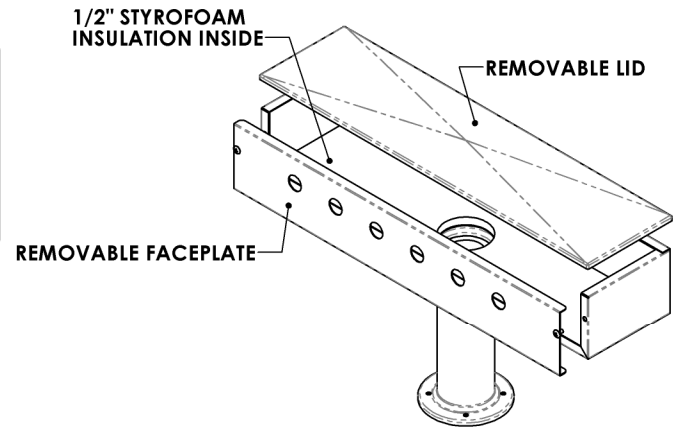
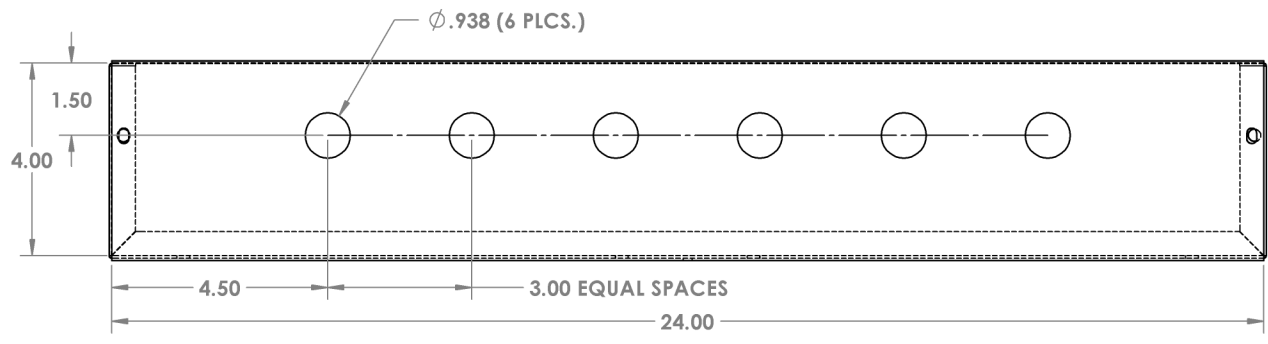
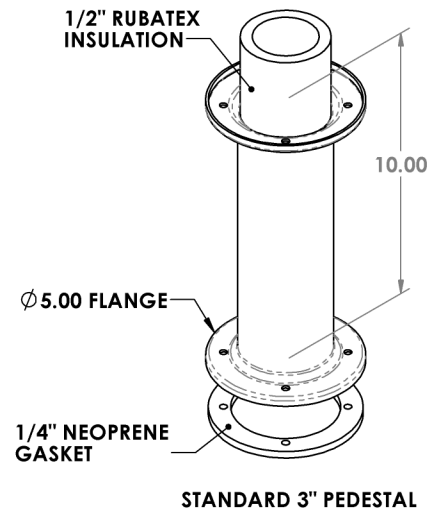
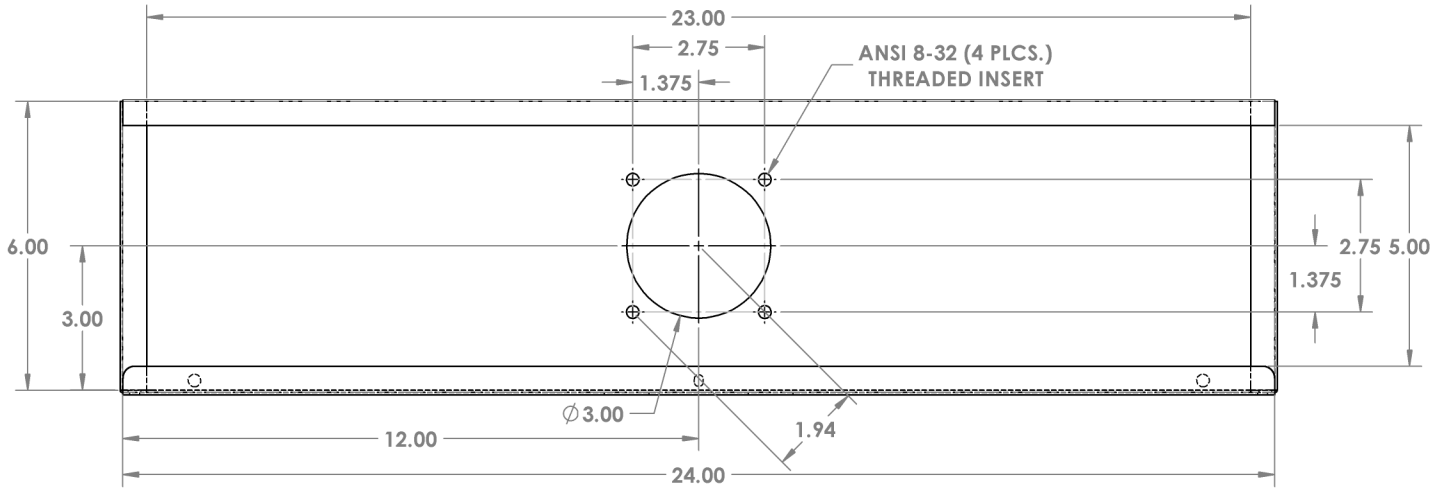


CHANGE DIMENSIONS AS NEEDED FOR CUSTOM T-TOWERS

| | | REVISIONS | | | |
|------|------|-------------|------|----------|--|
| ZONE | REV. | DESCRIPTION | DATE | APPROVED | |
| | | | | | |
| | | | | | |

Precision Sheet Metal
 Design ♦ Engineering ♦ Fabrication
 www.acumetalfab.com



NOTES:

ALL DIMENSIONS ARE INSIDE DIMENSIONS (UNLESS OTHERWISE NOTED)

***FAUCET HARDWARE NOT INCLUDED**

www.acumetalfab.com

PART # 1019-24-6Hole-SS8

| | | | | |
|--|--|-------------|----------------------------|----------------------------|
| PROPRIETARY AND CONFIDENTIAL | | NAME | DATE | TITLE: 3\"/> |
| THE INFORMATION CONTAINED IN THIS DRAWING IS THE SOLE PROPERTY OF ACU PRECISION SHEET METAL. ANY REPRODUCTION IN PART OR AS A WHOLE WITHOUT THE WRITTEN PERMISSION OF ACU PRECISION SHEET METAL IS PROHIBITED. | | L. WILLIAMS | 08/16 | |
| ACU PRECISION SHEET METAL IS : AMERICAN COFFEE URN MANUFACTURING CO., INC | | MATERIAL | 18 GA. 304 STAINLESS STEEL | |
| www.acumetalfab.com | | FINISH | #8 POLISHED | |
| DO NOT SCALE DRAWING | | | | AMERICAN COFFEE URN |