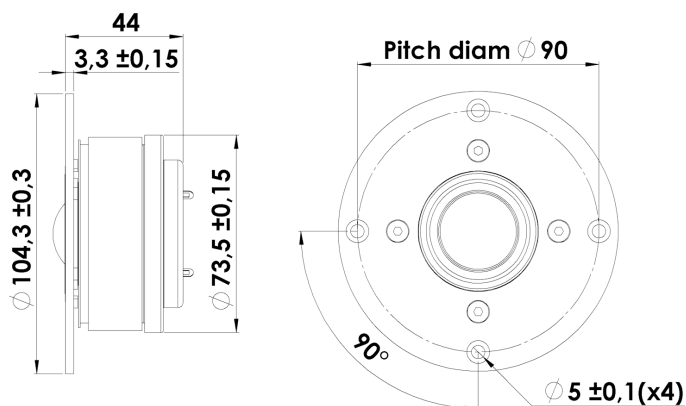


28 mm Dome Tweeter

D2904/950000



T-S Parameters:

Resonance frequency [fs]	550 Hz
Mechanical Q factor [Qms]	1.47
Electrical Q factor [Qes]	0.53
Total Q factor [Qts]	0.39
Force factor [Bl]	3.2 Tm
Mechanical resistance [Rms]	1.05 kg/s
Moving mass [Mms]	0.45 g
Compliance [Cms]	0.19 mm/N
Effective diaph. diameter [D]	35 mm
Effective piston area [Sd]	9.5 cm ²
Equivalent volume [Vas]	0.02 l
Sensitivity (2,83V/1m)	91 dB

Mechanical Data:

Voice coil diameter	28 mm
Voice coil height	2.5 mm
Voice coil layers	2
Gap height	2.5 mm
Linear excursion	± 0.1 mm
Max mech. excursion	± 1.5 mm
Unit weight	0.7 kg
Cabinet Displacement Volume	0.15 l

Electrical Data:

Nominal impedance [Zn]	4 Ω
Minimum impedance [Zmin]	4.3 Ω
Maximum impedance [Zo]	13.3 Ω
DC resistance [Re]	3.5 Ω
Voice coil inductance [Le]	0.05 mH

Power Handling:

100h RMS noise test (IEC 18.4)	150 W
Long-term max power (IEC 18.2)	430 W
X-over: 2. order HP Butterworth, 2.5 kHz	

Key Features:

- 1" Textile Dome Diaphragm
- Ferro Fluid
- Low Resonant Rear Chamber
- Black Painted Alu Face Plate
- 4 ohm

Recommendations (please see Tech Note):

- Operating frequency range: 2500-25000 Hz
- Cabinet volume - closed box: N.a.
- Cabinet volume - vented box: N.a.

