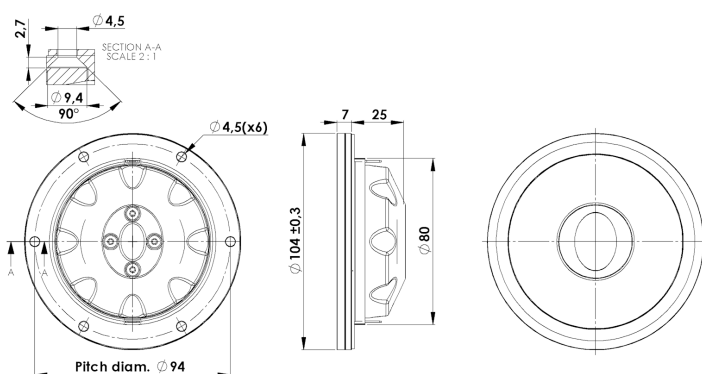


24 mm Dome Tweeter

D2404/552000



T-S Parameters:

Resonance frequency [fs]	550 Hz
Mechanical Q factor [Qms]	4.7
Electrical Q factor [Qes]	1.01
Total Q factor [Qts]	0.83
Force factor [Bl]	2 Tm
Mechanical resistance [Rms]	0.25 kg/s
Moving mass [Mms]	0.34 g
Compliance [Cms]	0.24 mm/N
Effective diaph. diameter [D]	~24.5 mm
Effective piston area [Sd]	4.6 cm ²
Equivalent volume [Vas]	0.01 l
Sensitivity (2,83V/1m)	91 dB

Mechanical Data:

Voice coil diameter	20/28 mm
Voice coil height	1.8 mm
Voice coil layers	2
Gap height	3 mm
Linear excursion	± 0.6 mm
Max mech. excursion	± 1.5 mm
Unit weight	0.47 kg
Cabinet Displacement Volume	0.09 l

Electrical Data:

Nominal impedance [Zn]	4 Ω
Minimum impedance [Zmin]	3.5 Ω
Maximum impedance [Zo]	16.5 Ω
DC resistance [Re]	3.4 Ω
Voice coil inductance [Le]	0.01 mH

Power Handling:

100h RMS noise test (IEC 18.4)	120 W
Long-term max power (IEC 18.2)	250 W
X-over: 2. order HP Butterworth 3 kHz	

Key Features:

- Elliptic voice coil
- Low mechanical losses
- High frequency extension beyond 30 kHz
- Aircirc optimized magnetsystem
- Low distortion
- Flexible optics with replaceable decor ring

Recommendations (please see Tech Note):

- Operating frequency range: 3000-30000 Hz
- Cabinet volume - closed box: N.a.
- Cabinet volume - vented box: N.a.

