

Model No: XT19NC30-04
 Product Line: Vifa

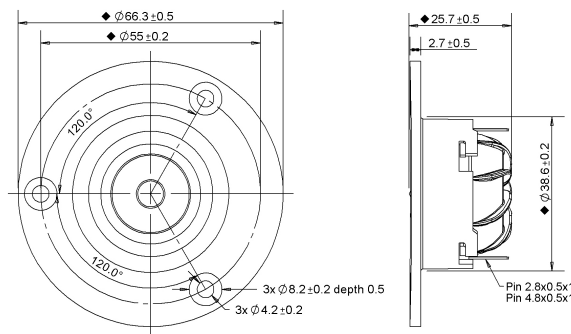
Rev: 1.0
 Last Update: 2015-09-07 19:06:10

Product Description

This member of the XT tweeter family utilizes two Tymphany technologies to deliver exceptional sound quality: the ring radiator patent, and the central waveguide patent. This model features a 0.75 inch 4 ohm voice coil, mounted in a NdFeB motor. The tweeter also features a rear chamber to create extended low frequency response. The faceplate features recessed mounting holes which minimizes reflections off of mounting screws.



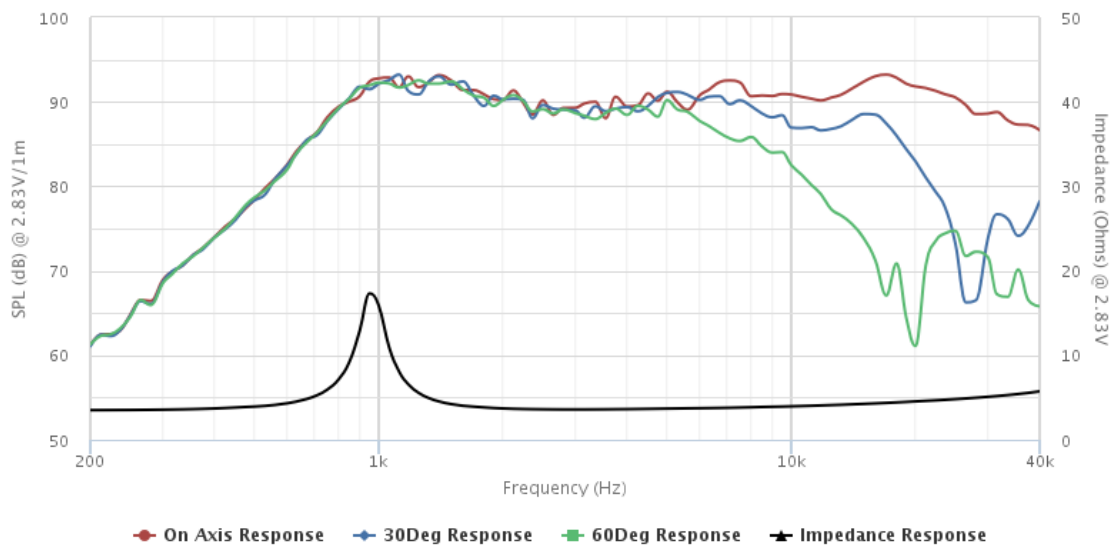
Mechanical Drawing



Specifications

DC Resistance	Revc	Ohms	3.06	5.0%	Energy Bandwidth Product	EBP	(1/Qes)*fs
Minimum Impedance	Zmin	Ohms	3.59	7.5%	Moving Mass	Mms	g
Voice Coil Inductance	Le	mH	0.01		Suspension Compliance	Cms	um/N
Resonant Frequency	Fs	Hz	972.68	15%	Effective Cone diameter	D	cm
Mechanical Q Factor	Qms		7.72		Effective Piston Area	Sd	cm ²
Electrical Q Factor	Qes	1.44			Effective Volume	Vas	L
Total Q Factor	Qts	1.21			Motor Force Factor	BL	Tm
Ratio Fs/Qts	F	Fs/Qts	801.88		Motor Efficiency Factor	β	(T*M ²)/Ohms
Half Space Sensitivity @2.83V	db@2.83V/1M	dB	89.36	+/- 1.0db	Voice coil former Material	VCfm	ASV
Half Space Sensitivity @1W/1M	db@1W/1M	dB	85.9	+/- 1.0db	Voice coil inner diameter	VCd	mm
Gap Height	Gh	mm	2		Rated Noise Power	P	W
Maximum Linear Excursion	Xmax	mm	0.1		Test Spectrum Bandwidth		1kHz - 20kHz
Ferrofluid Type	FF				Driver Size	Inch	19 mm
Driver Mass	Kg	0.05					

Frequency and Impedance Response



Highcharts.com