

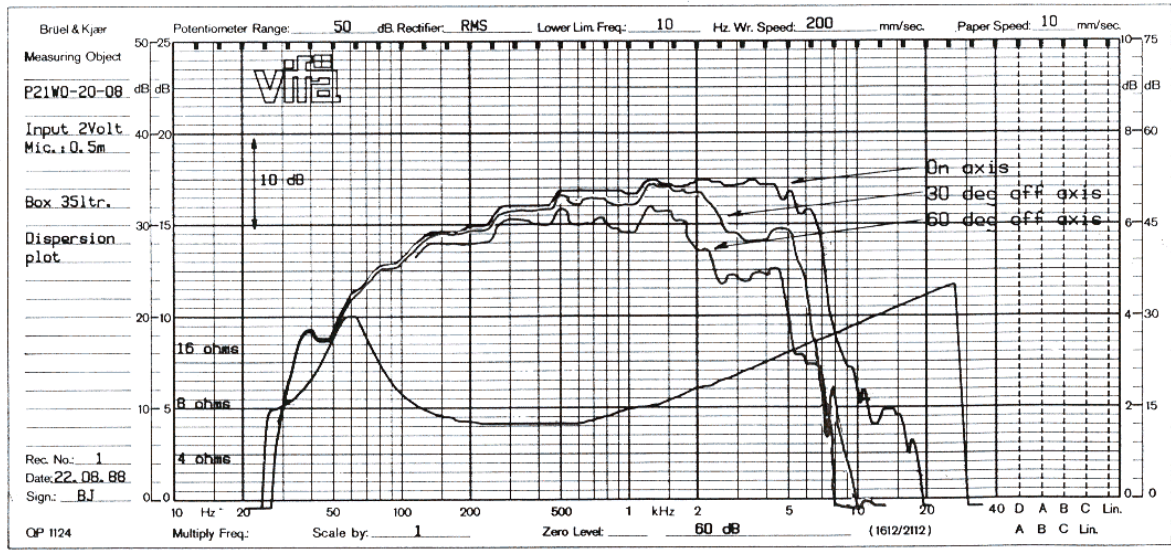
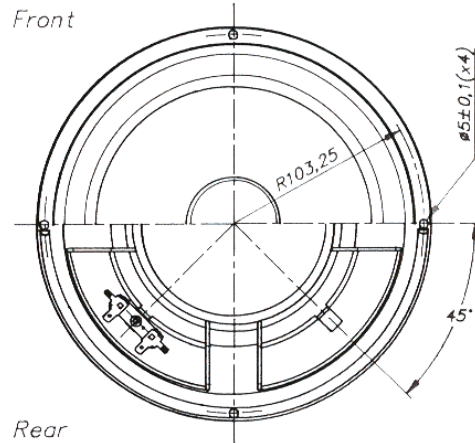
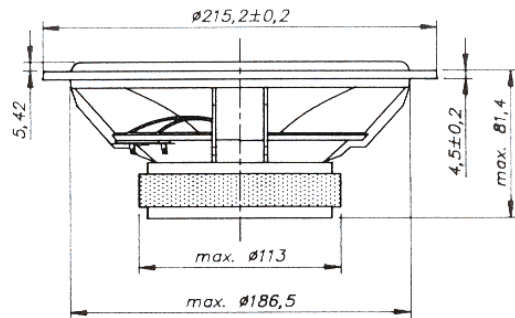
# 8" WOOFER

# P21W0-20-08

### SPECIAL FEATURES:

- MAGNESIUM BASKET
- MINERAL FILLED POLYCONE
- HIGH DAMPING RUBBER SURROUND
- HIGH TEMPERATURE VOICE COIL
- VERY SMOOTH FREQUENCY RESPONSE
- OPTIMIZED FOR BASS REFLEX

NOMINAL IMPEDANCE	8 Ω
NOMINAL POWER (IEC 268-5)	80 W
MUSIC POWER (DIN 45500)	120 W
FREQUENCY RANGE	25-4000 Hz
SENSITIVITY (1W, 1m)	91 dB
EFFECTIVE CONE AREA	235 cm <sup>2</sup>
VOICE COIL RESISTANCE	5,7 Ω
VOICE COIL INDUCTANCE	0,9 mH
OPERATING POWER	3,2 W
VOICE COIL DIAMETER	40 mm
VOICE COIL HEIGHT	14 mm
AIR GAP HEIGHT	6 mm
FREE AIR RESONANCE	28 Hz
MOVING MASS (incl. air)	22,5 g
FORCE FACTOR, B x l	7,4 Txm
MAGNET WEIGHT (24,6 oz)	698 g
Q <sub>ms</sub>	1,6
Q <sub>es</sub>	0,41
Q <sub>ts</sub>	0,33
V <sub>as</sub>	113 ltr



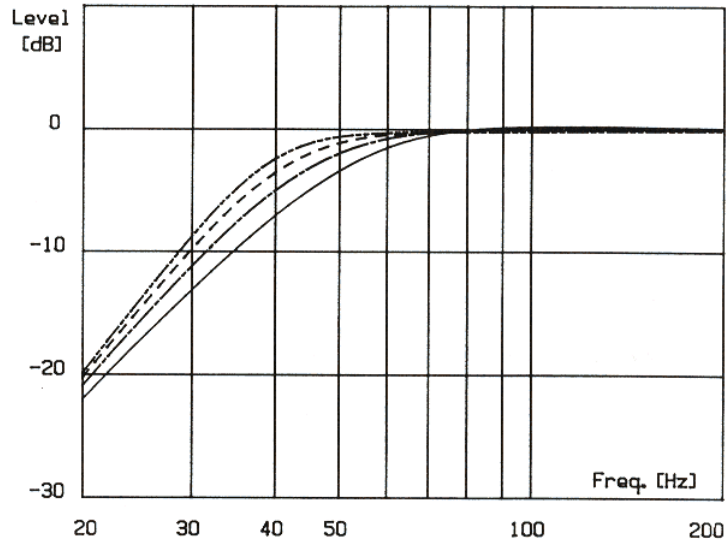
# P21W0-20-08

# Applications

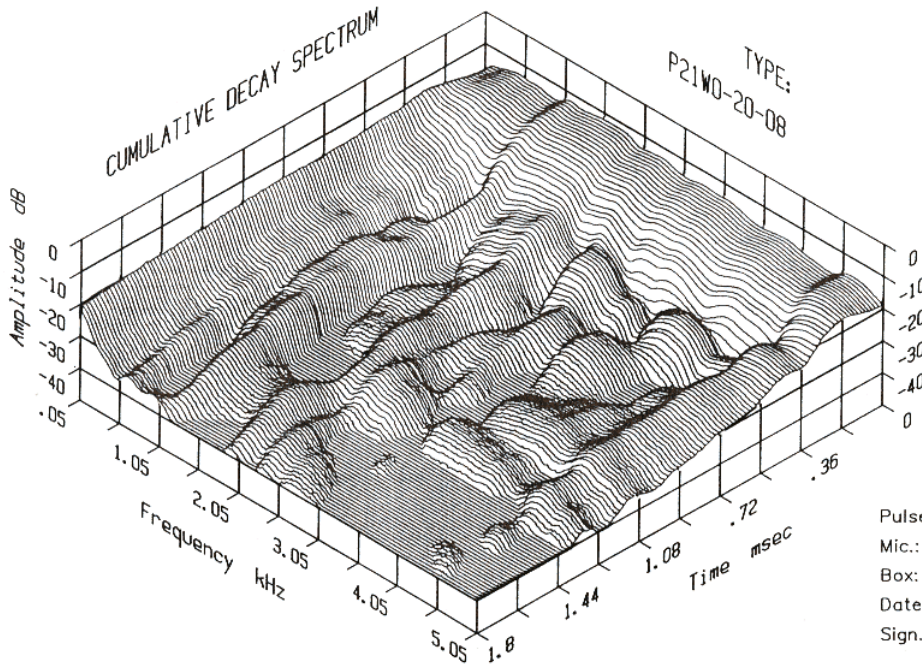
## BASS REFLEX SYNTHESIS

	Vb [ltrs]	Fb [Hz]	Dp [cm]	Lp [cm]
1	30	35	5.0	8.5
2	40	35	5.0	5.7
3	50	35	10.0	21.5
4	60	35	10.0	17.0

Vb: Box Volume  
 Fb: Tuning Frequency  
 Dp: Port Diameter  
 Lp: Port Length



The P21W0-20-08 is intended for bass reflex enclosures of 30-60 ltrs. A response having a moderate peak is obtainable in the same volume by choosing a higher tuning frequency Fb while a lower Fb gives a damped response.



Pulse: 25V/50µS  
 Mic.: 0,25 m  
 Box: 35 l  
 Date: 04.11.88  
 Sign.: BJ