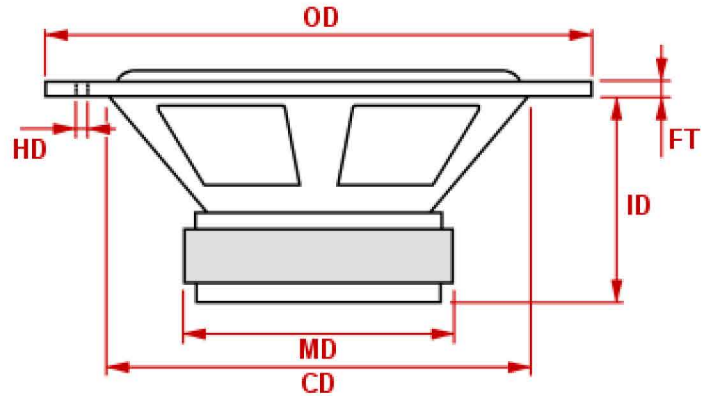




M21WO-39-08

Nominal impedance [ohm]	8
Voice coil resistance [ohm]	5.5
Nominal power [W]	80
Short term max power [W]	-
Long term max power [W]	-
Operating power [W]	4
Sensitivity [dB]	90
Frequency range [Hz]	25-3000
Free air resonance [Hz]	28
Voice coil diameter [mm]	40
Voice coil height [mm]	18
Air gap height [mm]	6
Voice coil inductance [mH]	1.0
Eff. diaphragm Area [cm ²]	235
Moving mass [g]	23
Magnet weight [g]/[oz]	698/24.6
Force factor [Bl]	8.2
VAS [l]	105
Qms	1.97
Qes	0.35
Qts	0.30



OD:	215 mm	CD:	187 mm
FT:	4.5 mm	ID:	82.1 mm
MD:	113 mm	HD:	4xø5@ø206.5

