



NEW



# TiCW 958Ft

## Titanium Ultimate Woofer

Ø 9", Ø 5.1" voicecoil, 8Ω

### SPECIFICATIONS

#### General Data

Overall Dimensions	<b>DxH</b>	222mmx125mm(8.74"x4.92")
Nominal Power Handling (DIN)	<b>P</b>	500W
Transient Power 10ms		1500W
Sensitivity 2.83V / 1M		85 dB SPL
Frequency Response		See graph
Cone Material		Composite cellular fiber
Net Weight	<b>Kg</b>	6.6 kg

#### Electrical Data

Nominal Impedance	<b>Z</b>	8Ω
DC Resistance	<b>Re</b>	6.3Ω
Voice Coil Inductance @ 1KHz	<b>LBM</b>	0.62 mH

#### Voice Coil and Magnet Parameters

Voice Coil Diameter	<b>DIA</b>	130 mm (5.1")
Voice Coil Height		33 mm (1.4")
HE Magnetic Gap Height	<b>HE</b>	12 mm (0.47")
Max. Linear Excursion	<b>X</b>	± 10.5mm (0.45")
Voice Coil bobbin		Titanium
Voice Coil Wire		Hexatech™ Aluminum
Number Of Layers		2
Magnet System Type		High Flux Double Ferrite Vented
B Flux Density	<b>B</b>	0.62 T
BL Product	<b>BXL</b>	14.6 N.A

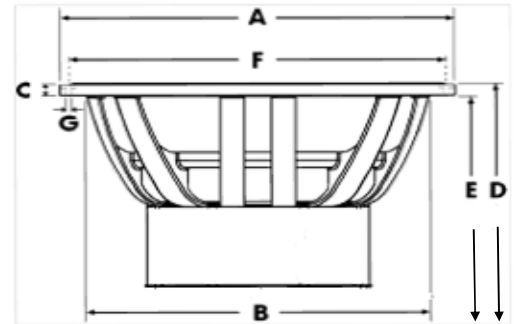
#### T-S Parameters

		Small Signal	1 V
Suspension Compliance	<b>Cms</b>		0.53 mm/N
Mechanical Q Factor	<b>Qms</b>		3.2
Electrical Q Factor	<b>Qes</b>		0.34
Total Q Factor	<b>Qts</b>		0.31
Mechanical Resistance	<b>Rms</b>		3.61 kg/s
Moving Mass	<b>Mms</b>		72.16 gr
Eq. Cas Air Load (liters)	<b>VAS</b>		45.4 Lt
Resonant Frequency	<b>Fs</b>		26 Hz
Effective Piston Area	<b>SD</b>		243 cm <sup>2</sup>

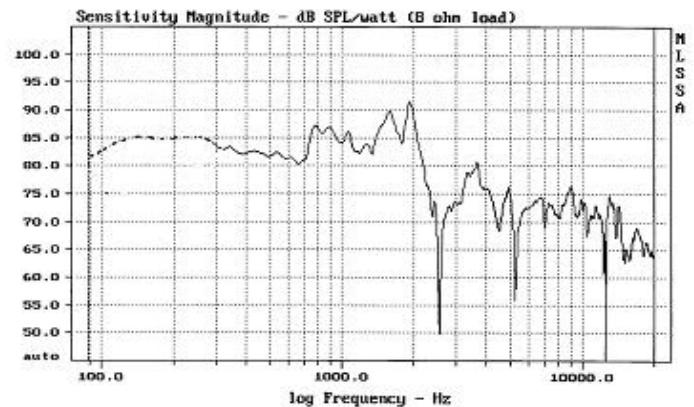
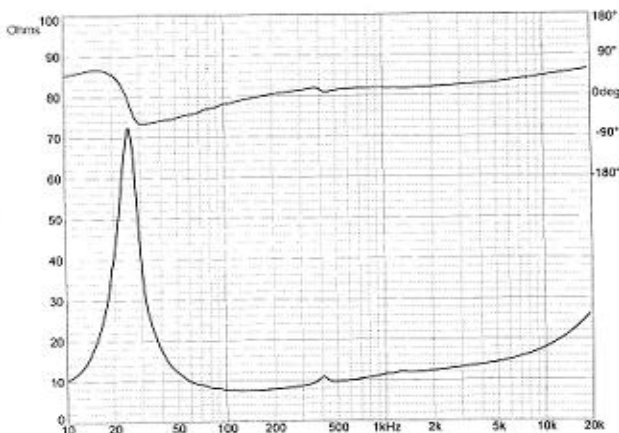
#### FEATURES

- \* Uniflow™ Aluminum diecast chassis
- \* High flux double Ferrite magnet system
- \* Coppersleeve Neolif™ Motor
- \* 5.1" Large Hexatech™ Aluminum voice coil
- \* Titanium coil bobbin
- \* One piece paper cone/center dome
- \* Accucenter™ self centering cone assembly

#### Unit Dimintions



A - Overall diameter	222mm
B - Cut out diameter	200mm
C - Flange thickness	5mm
D - Overall height	125mm
E - Basket/magnet depth	120mm
F - Mounting holes location diameter	213mm
G - 6 Mounting holes, at 60° interval, inner hole diameter	Ø 5mm



Measured on IEC baffle using Bruel & Kjaer 3144 model microphone.

Morel operate policy of continuous product design improvement, consequently specifications are subject to alteration without prior notice.