

Model No: OT19NC00-04

Rev: 1.0

Product Line: Vifa

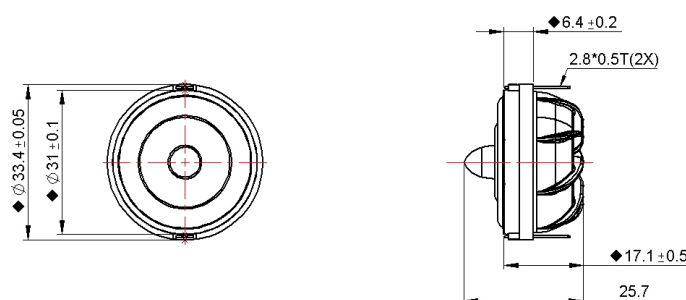
Last Update: 2015-10-12 20:18:40

Product Description

This member of the OT tweeter family utilizes two Tymphany technologies to deliver exceptional sound quality: the ring radiator patent, and the central waveguide patent. This model features a 19mm 4 ohm voice coil, mounted in a neodymium magnet motor. The tweeter also features a rear chamber to create extended low frequency response. This compact tweeter without faceplate is ready for installation into compact systems.



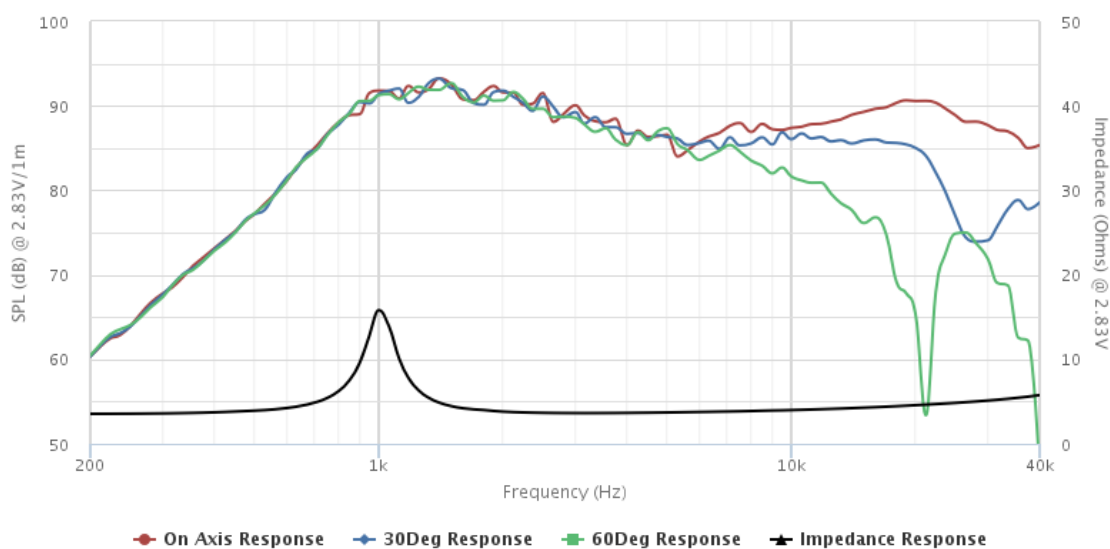
Mechanical Drawing



Specifications

DC Resistance	Revc	Ohms	3.17	5.0%	Energy Bandwidth Product	EBP	(1/Qes)*fs	
Minimum Impedance	Zmin	Ohms	3.64	7.5%	Moving Mass	Mms	g	0.2
Voice Coil Inductance	Le	mH	0.01		Suspension Compliance	Cms	um/N	116.3
Resonant Frequency	Fs	Hz	1029.44	15%	Effective Cone diameter	D	cm	2.4
Mechanical Q Factor	Qms		7.03		Effective Piston Area	Sd	cm ²	4.5
Electrical Q Factor	Qes	1.56			Effective Volume	Vas	L	0
Total Q Factor	Qts	1.27			Motor Force Factor	BL	Tm	1.64
Ratio Fs/Qts	F	Fs/Qts	808.03		Motor Efficiency Factor	β	(T*M ²)/Ohms	0.9
Half Space Sensitivity @2.83V	db@2.83V/1M	dB	88.82	+/- 1.0db	Voice coil former Material	VCfm		ASV
Half Space Sensitivity @1W/1M	db@1W/1M	dB	85.4	+/- 1.0db	Voice coil inner diameter	VCd	mm	19.3
Gap Height	Gh	mm	2		Rated Noise Power	P	W	80
Maximum Linear Excursion	Xmax	mm	0.1		Test Spectrum Bandwidth		2.5kHz - 20kHz	
Ferrofluid Type	FF				Driver Size	Inch	19 mm	
Driver Mass	Kg	0.04						

Frequency and Impedance Response



Highcharts.com