

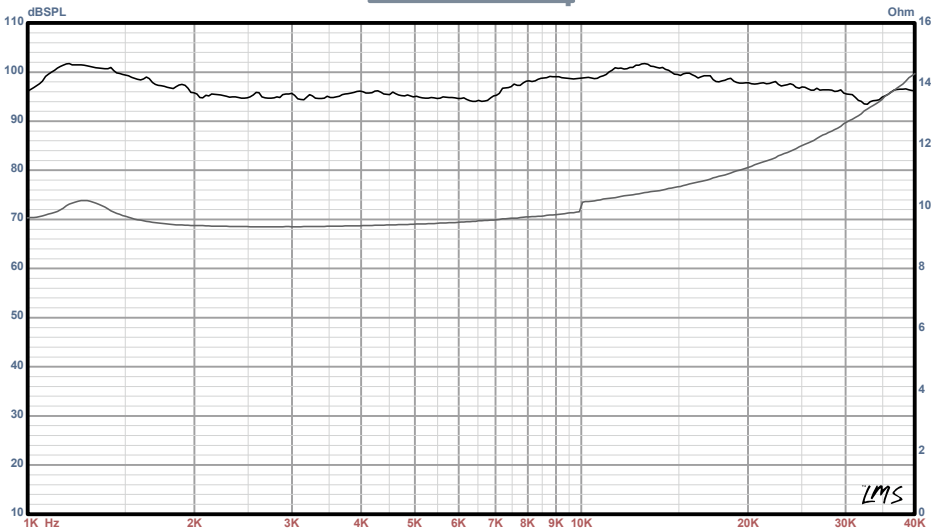


NeoX3.0 ribbon tweeter

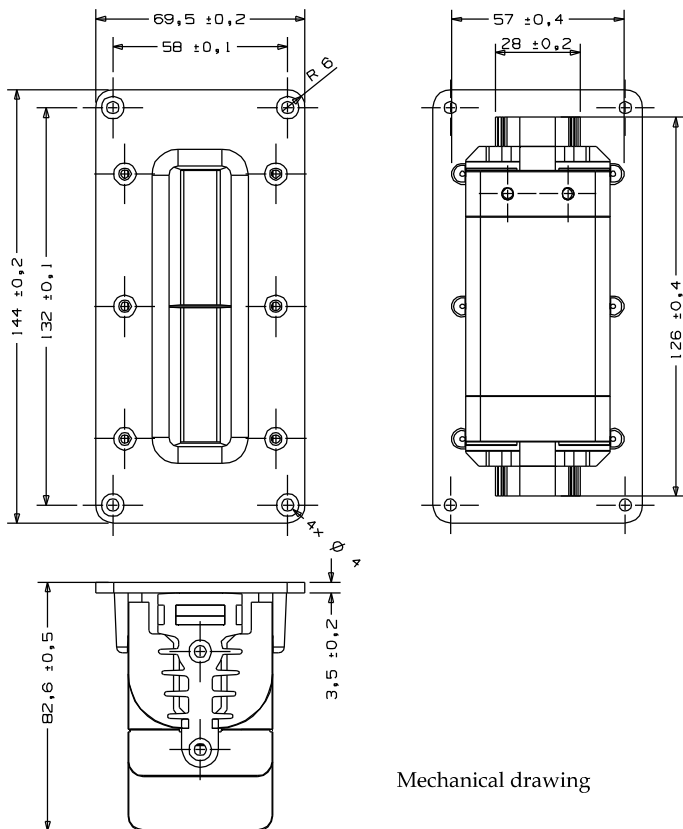
Feature

- Fountek's 3-rd generation ribbon driver technology
- 12mm width enforced sandwich ribbon diaphragm
- Higher power handling, lower distortion, very fast transition
- Strong Neodymium magnet
- Built-in impedance convertor

SPL vs Freq



on-axis frequency response



Mechanical drawing

Parameter	
Sensitivity	95dB/1m/2.83v
Power handling	30W nominal, 50W max
Frequency range	1,200-40,000Hz
Nominal impedance	8 ohm
DCR	0.02 ohm
Ribbon dimension	12x80x0.015mm
Effective ribbon area	960 square millimeter
Ribbon weight	36 milligram
Gap flux	0.4 Telsa average
Gap height	13 millimeter
Recommend crossover frequency	2,000Hz with 2-order
Net. Weight	1015 gram

Address: No. 112 Lu Li Street, Jia Xing, Zhe Jiang 314001,PRC
 Tel: +86 - 573 - 8301 9220 Fax: +86 - 573 - 8301 9221
 Website: www.fountek.net e-mail: info@fountek.net