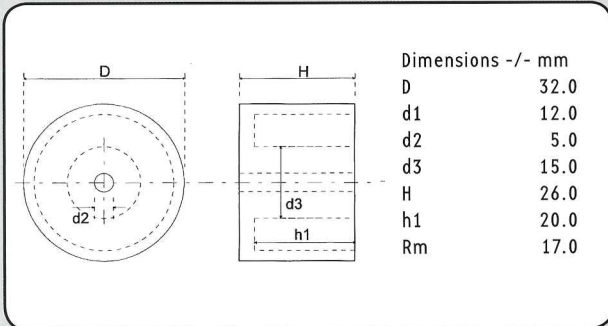
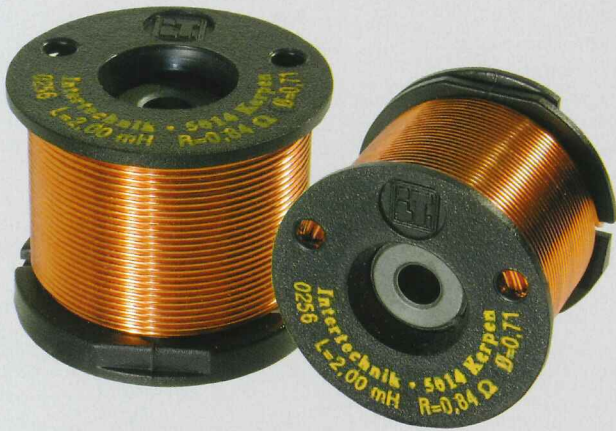
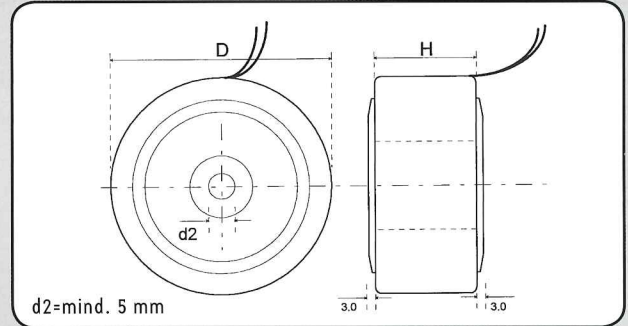


HQR – TUBE CORE INDUCTORS

HQR 32/26

Copper Wire Ø: 0,71 mm
 CU Purity: > 99,99 %
 Wire Bonding Length: 10 mm
 Tin Coated Length: 9 mm
 Core Material: HQ – Soft Ferrite
 L-tolerance: ± 5 %
 L-Value: Nom.- 25° C and 1 kHz

HQR 32/26 • CU 0.71 mm • Cross-Section 0.39 mm² AWG 21

Description	L/mH	R/0hm	Order Number
HQR32/068/071	0.68	0.39	134 0248
HQR32/082/071	0.82	0.48	134 0249
HQR32/1.0/071	1.00	0.53	134 0250
HQR32/1.2/071	1.20	0.61	134 0251
HQR32/1.5/071	1.50	0.69	134 0252
HQR32/1.8/071	1.80	0.80	134 0254
HQR32/2.0/071	2.00	0.84	134 0256

TOROBAR-INDUCTORS

TO 1000

CU Purity: > 99.99 %
 Length of Connection: 100.0 mm
 Peel off Length: min. 10.0 mm
 Core Type: TOROBAR Ring Core
 L-tolerance: ± 5 %
 L-Value: Nom. 25° C and 1 kHz

Torobar • CU 1.30 mm • Cross-Section 1.37 mm² AWG 16

Description	L/mH	R/0hm	I sät	DxH/mm	Order Number
T010/2.2/130	2.20	0.12	11.50	67x30	134 0580
T010/3.3/130	3.30	0.17	10.70	73x31	134 0582
T010/4.7/130	4.70	0.20	9.60	74x32	134 0584
T010/5.6/130	5.60	0.22	8.80	74x33	134 0586
T010/6.8/130	6.80	0.28	8.00	75x34	134 0588
T010/8.2/130	8.20	0.22	8.00	77x41	134 0590
T010/10/130	10.0	0.27	8.00	87x41	134 0592

Torobar • CU 1.40 mm • Cross-Section 1.54 mm² AWG 15

Description	L/mH	R/0hm	I sät	DxH/mm	Order Number
T010/15/140	15.0	0.29	8.00	93x48	134 0594