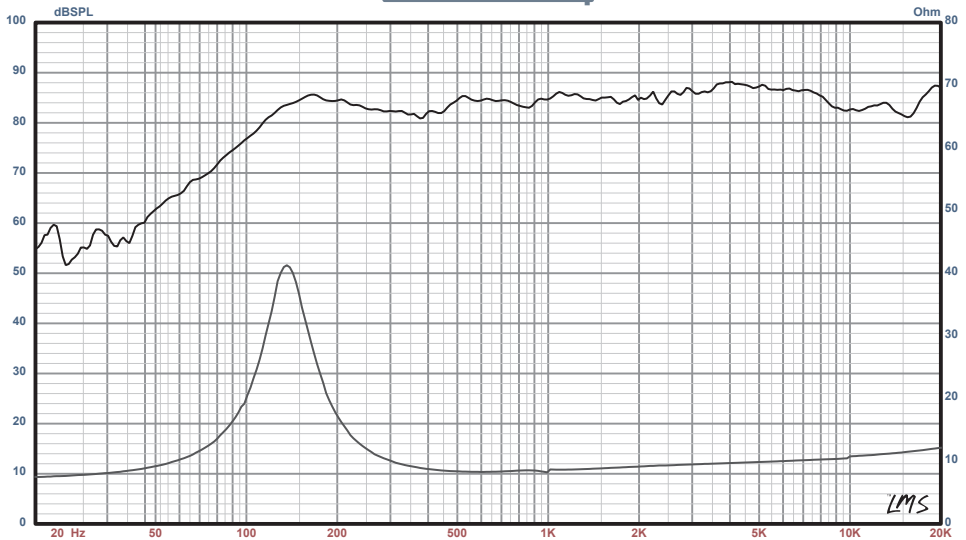




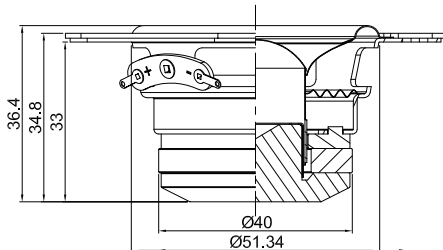
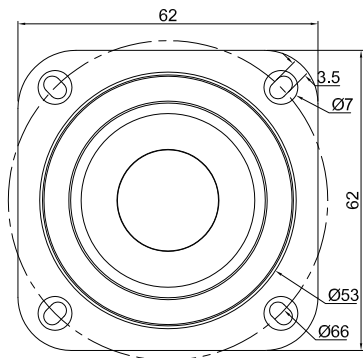
feature

- Neodymium magnet
- ± 2.9 mm linear excursion
- aluminium cone, 20mm voice coil
- low distortion, fast transition
- high power handling

SPL vs Freq



on-axis frequency response



Mechanical drawing

Specifications		Magnet System	
Overall Dimensions	62x62x35mm	Magnet system type	Neodymium
Net. Weight	140gm	Magnetic Gap Height	3mm
Nominal Power Handlng	15 W rms	B Flux Density	1.16T
Nominal Impedance	8 Ohms	Bl Product	3.3885Tm
Sensitivity 1W/1M	82.3dB	Max Linear Excursion	2.9mm+/-
Frequency Response	130-20KHz	T/S Parameter	
Resonant frequency	134Hz	Cms	0.7366um/N
Voice Coil		Sd	17.35cm ²
Voice Coil Diameter	20mm	Vas	0.315L
Voice Coil Height	8.9mm	Mmd	1.873gm
Voice Coil Former	aluminum	Mms	1.914gm
Voice Coil Wire	copper round	Qms	2.603
Number of Layers	2	Qes	0.694
DC Resistance	6.4 Ohms	Qts	0.548