

Model No: BC20SC15-04  
 Product Line: Vifa

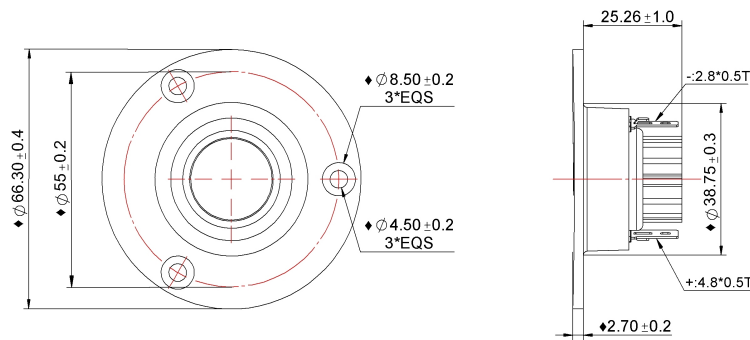
Rev: 1.0  
 Last Update: 2015-08-20 21:11:58

## Product Description

The BC family of tweeters features a damped fabric dome for smooth frequency response performance and ferrofluid in the gap of the NdFeB motor, providing enhanced cooling of the voice coil. BC tweeters come with a compact faceplate with recessed mounting holes, complete with a sealing gasket which helps reduce vibration between baffle and driver.



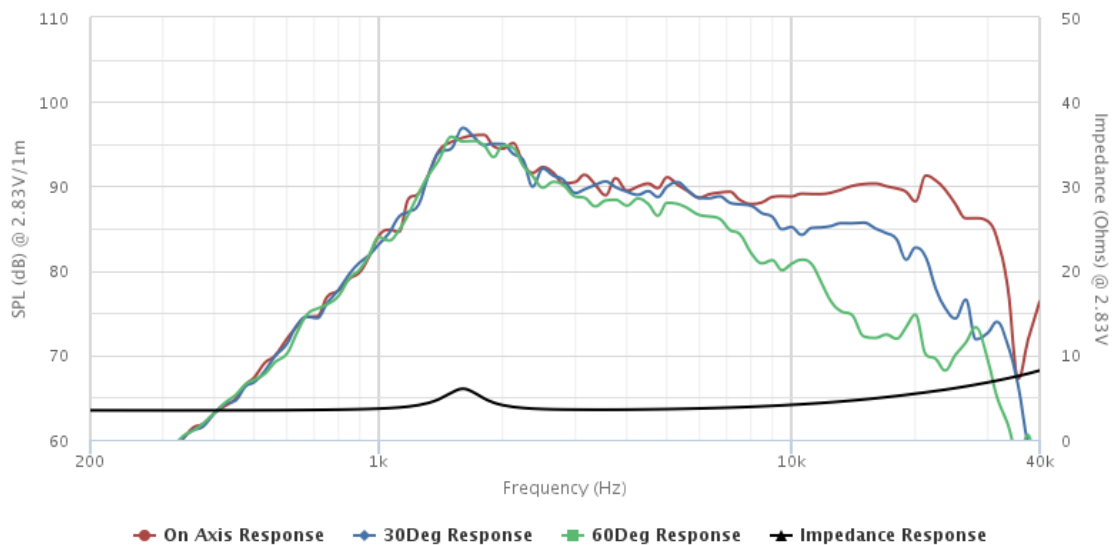
## Mechanical Drawing



## Specifications

DC Resistance	Revc	Ohms	3.11	5.0%	Energy Bandwidth Product	EBP	(1/Qes)*fs	316.44
Minimum Impedance	Zmin	Ohms	3.56	7.5%	Moving Mass	Mms	g	0.2
Voice Coil Inductance	Le	mH	0.02		Suspension Compliance	Cms	um/N	49.4
Resonant Frequency	Fs	Hz	1579.55	15%	Effective Cone diameter	D	cm	2.4
Mechanical Q Factor	Qms		4.8		Effective Piston Area	Sd	cm <sup>2</sup>	4.5
Electrical Q Factor	Qes		4.99		Effective Volume	Vas	L	0
Total Q Factor	Qts		2.45		Motor Force Factor	BL	Tm	1.13
Ratio Fs/Qts	F	Fs/Qts	645.77		Motor Efficiency Factor	$\beta$	(T*M <sup>2</sup> )/Ohms	0.4
Half Space Sensitivity @2.83V	db@2.83V/1M	dB	90.18	+/- 1.0db	Voice coil former Material	VCfm		ASV
Half Space Sensitivity @1W/1M	db@1W/1M	dB	86.7	+/- 1.0db	Voice coil inner diameter	Vcd	mm	20.4
Gap Height	Gh	mm	2		Rated Noise Power	P	W	80
Maximum Linear Excursion	Xmax	mm	0.2		Test Spectrum Bandwidth			1.5kHz - 20kHz
Ferrofluid Type	FF		APG027N		Driver Size	Inch		19 mm
Driver Mass	Kg		0.1					

## Frequency and Impedance Response



Highcharts.com