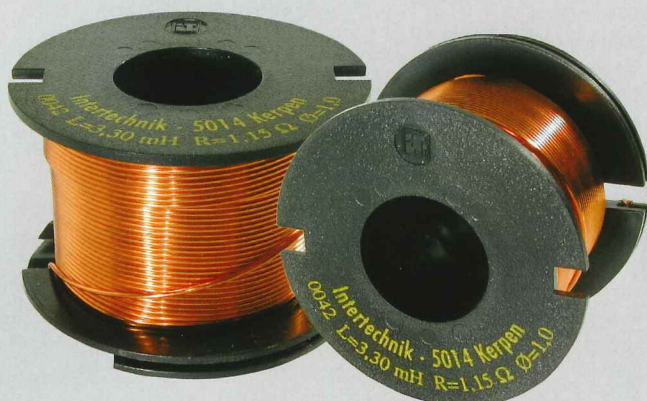
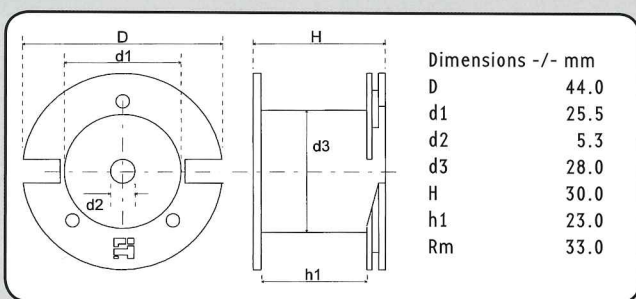


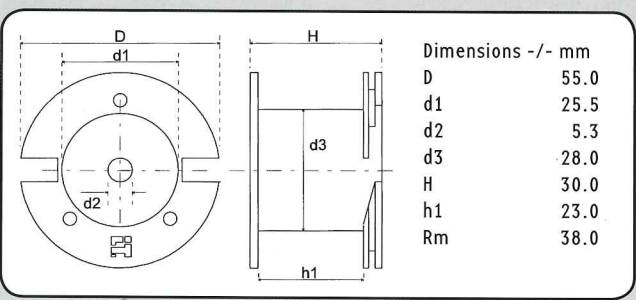
► **AIR CORE INDUCTORS AWG 18**



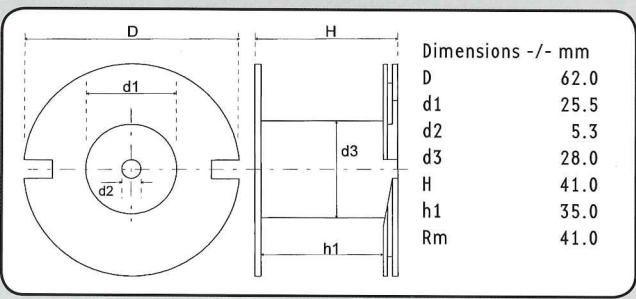
Copper Wire Ø: 1,0 mm
 CU Purity: > 99.99 %
 Wire Bonding Length: 10 mm
 Tin Coated Length: 9 mm
 Coil Body Material: ABS
 L-tolerance: ± 3 %
 L-Value: Nom. 25°C and 1 kHz



LU 44/30



LU 55/30



LU 62/41

LU 44/30 • CU 1.0 mm • Cross-Section 0.79 mm ²			AWG18
Description	L/mH	R/0hm	Order Number
LU44/010/100	0.10	0.14	134 0002
LU44/012/100	0.12	0.16	134 0004
LU44/015/100	0.15	0.17	134 0006
LU44/018/100	0.18	0.22	134 0008
LU44/022/100	0.22	0.23	134 0009
LU44/027/100	0.27	0.27	134 0012
LU44/033/100	0.33	0.30	134 0014
LU44/039/100	0.39	0.33	134 0016
LU44/047/100	0.47	0.36	134 0018
LU44/056/100	0.56	0.42	134 0020
LU44/068/100	0.68	0.47	134 0022

LU 55/30 • CU 1.0 mm • Cross-Section 0.79 mm ²			AWG 18
Description	L/mH	R/0hm	Order Number
LU55/082/100	0.82	0.52	134 0024
LU55/1,0/100	1.00	0.60	134 0026
LU55/1,2/100	1.20	0.65	134 0028
LU55/1,5/100	1.50	0.73	134 0030
LU55/1,8/100	1.80	0.79	134 0032
LU55/2,2/100	2.20	0.89	134 0034

LU 62/41 • CU 1.0 mm • Cross-Section 0.79 mm ²			AWG 18
Description	L/mH	R/0hm	Order Number
LU62/2.7/100	2.70	0.97	134 0038
LU62/3.0/100	3.00	1.10	134 0040
LU62/3.3/100	3.30	1.15	134 0042