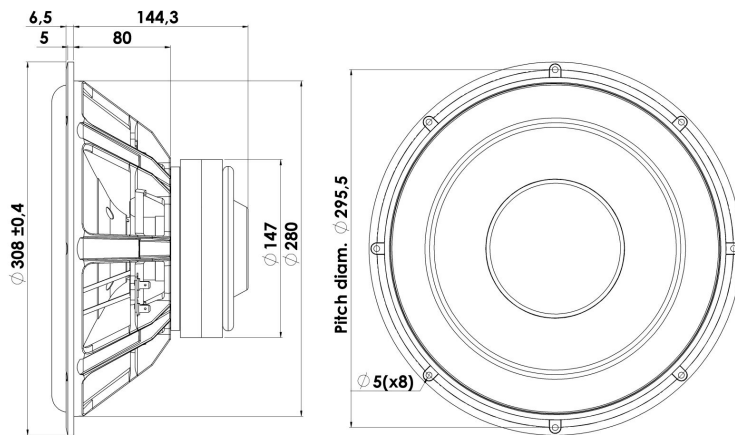




# SUBWOOFER

# 30W/4558T06

Our SILVER SERIES are specially selected units from Scan-Speak's well-known home audio speakers. Which have been optimized for automotive use. This series enables audiophiles to experience in their vehicle the - TRUE TO LIVE - that they enjoy from their high-end home audio system.



## KEY FEATURES:

- 56mm Peak Excursion, 25mm Linear
- Low Resonance Freq. 17Hz
- Magnet System w. Alu Ring
- High Output 89dB @ 2,83V
- Anodized Alu Cone, Fibre Glass Dust Cap
- Die cast Alu Chassis vented below spider

### T-S Parameters

Resonance frequency [fs]	17 Hz
Mechanical Q factor [Qms]	5.01
Electrical Q factor [Qes]	0.34
Total Q factor [Qts]	0.32
Force factor [Bl]	10.5 Tm
Mechanical resistance [Rms]	2.88 kg/s
Moving mass [Mms]	135 g
Compliance [Cms]	0.65 mm/N
Effective diaph. diameter [D]	244 mm
Effective piston area [Sd]	466 cm <sup>2</sup>
Equivalent volume [Vas]	197 l
Sensitivity (2.83V/1m)	89 dB
Ratio Bl/√Re	6.51 N/√W
Ratio fs/Qts	53 Hz

### Notes:

IEC specs. refer to IEC 60268-5 third edition.  
All Scan-Speak products are RoHS compliant.  
Data are subject to change without notice.  
Datasheet updated: March 15, 2016.

### Electrical Data

Nominal impedance [Zn]	4 Ω
Minimum impedance [Zmin]	3.3 Ω
Maximum impedance [Zo]	40.9 Ω
DC resistance [Re]	2.6 Ω
Voice coil inductance [Le]	0.83 mH

### Power Handling

100h RMS noise test (IEC 17.1)	150 W
Long-term max power (IEC 17.3)	350 W

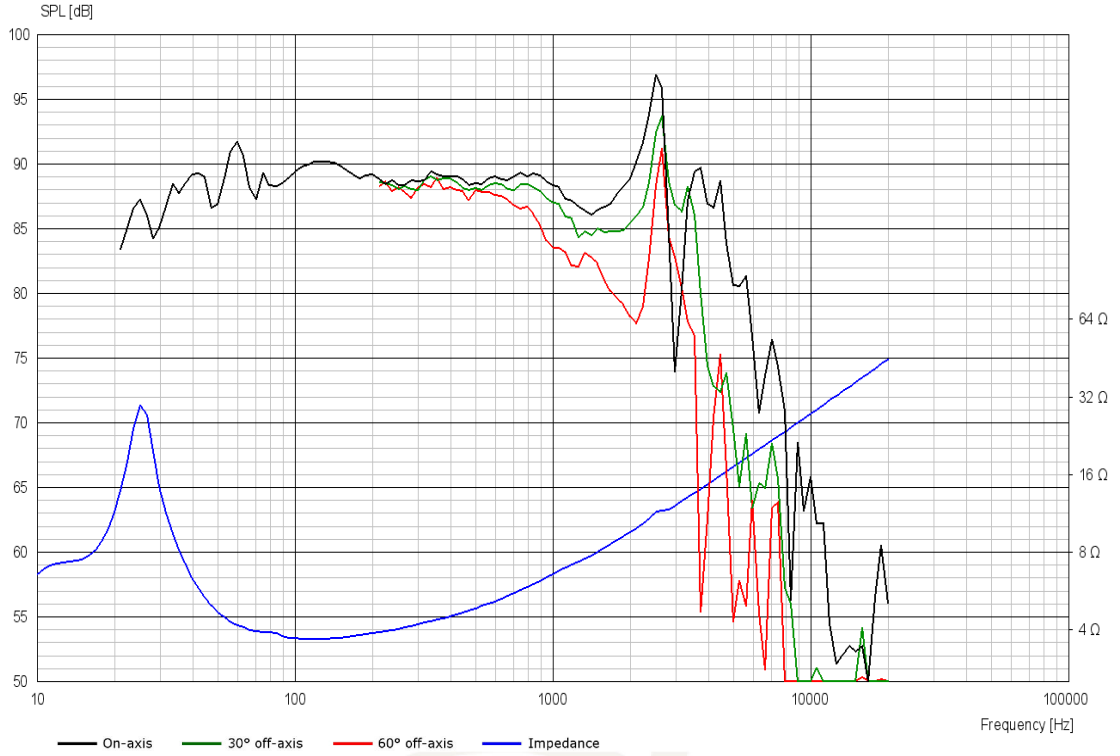
### Voice Coil & Magnet Data

Voice coil diameter	51 mm
Voice coil height	33 mm
Voice coil layers	4
Height of gap	8 mm
Linear excursion	± 12.5 mm
Max mech. excursion	± 28 mm
Unit weight	6.3 kg

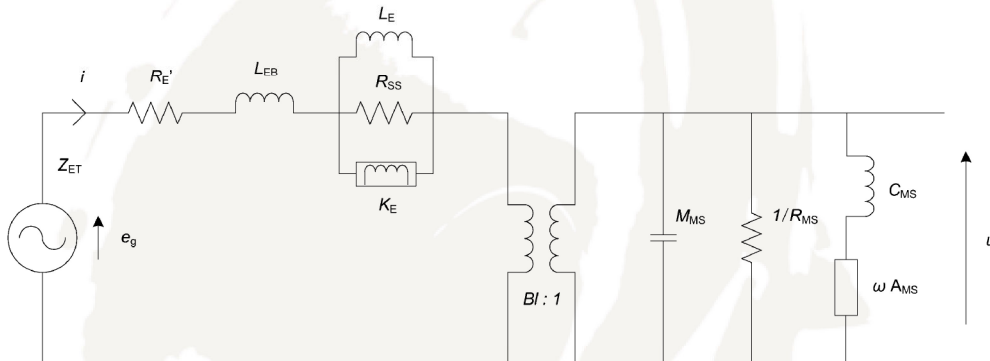


# SUBWOOFER

# 30W/4558T06



## Advanced Parameters (Preliminary)



### Electrical data

Resistance [ $R_{E'}$ ]	2.72 $\Omega$
Free inductance [ $L_{EB}$ ]	0.280 mH
Bound inductance [ $L_E$ ]	1.96 mH
Semi-inductance [ $K_E$ ]	0.054 SH
Shunt resistance [ $R_{SS}$ ]	260 $\Omega$

### Mechanical Data

Force Factor [ $BI$ ]	10.37 Tm
Moving mass [ $M_{MS}$ ]	129.3 g
Compliance [ $C_{MS}$ ]	0.68 mm/N
Mechanical resistance [ $R_{MS}$ ]	1.80 kg/s
Admittance [ $A_{MS}$ ]	0.07 mm/N