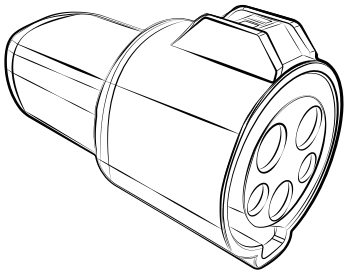


User Manual

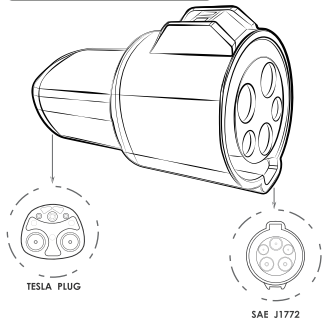
J1772 TO TESLA **CHARGING ADAPTER**

Model: EV-JT04



Please read the user manual carefully before use

1. Product Overview



2. Specifications

Voltage : 240V

Rated Current : 80A Max

Operating Temperature : -22 F to 122 F (-30 C to 50 C)

IP Rating : IP65

3. Installation

- ① Open the charge port door on your Tesla vehicle.
- ② Connect the adapter to the SAE J1772 charger until hear a "click".
- ③ Plug the charger and adapter together into your Tesla vehicle and wait for the vehicle to engage a latch that holds the adapter in place.
- ④ Wait until the indicator turns green.

WARNING : DO NOT touch the Adapter's metallic objects, such as wire, tools or needles.