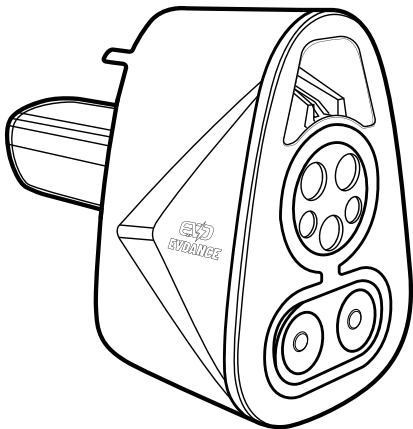




CCS1 to Tesla DC Charging Adapter

User Manual

Model: EV-JT03



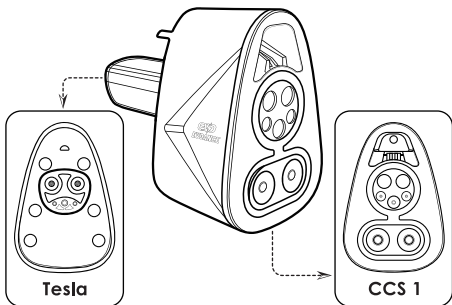
Please read the user manual carefully before use the adapter.

Warnings

- ⚠ Do not use the CCS 1 Adapter if it is defective, appears cracked, frayed, broken or otherwise damaged, or fails to operate.
- ⚠ Do not attempt to open, disassemble, repair, tamper with, or modify the CCS 1 Adapter.
- ⚠ Do not disconnect the CCS 1 Adapter while charging the vehicle.
- ⚠ Protect the CCS 1 Adapter from moisture, water and foreign objects at all times. If any exist or appear to have damaged or corroded the CCS 1 Adapter, do not use the CCS 1 Adapter.
- ⚠ Do not touch the CCS 1 Adapter's end terminals with sharp metallic objects, such as wire, tools or needles.
- ⚠ Do not damage the CCS 1 Adapter with sharp objects.
- ⚠ Do not insert foreign objects into any part of the CCS1 Adapter.
- ⚠ Always inspect the CCS 1 Adapter for damage prior to each use.



Product Overview



Product Specifications

Voltage	200V-1000V DC
Power	250 kW Max
Operating Temperature	-22°F to 122°F (-30°C to 50°C)
Storage Temperature	-40°F to 185°F (-40°C to 85°C)
IP Rating	IP65

How to Plug In

1. Open the charge port door on your Tesla vehicle.
2. Align the CCS 1 Adapter to the end of the charging station's cable and push together, ensuring it is firmly attached.

3. Plug the CCS 1 Adapter into your Tesla vehicle and wait for the vehicle to engage a latch that holds the adapter in place.
4. Follow the instructions on the charging station to start the charging session.
5. Check the vehicle's touchscreen to confirm that charging is in progress.

How to Unplug

When charging is complete:

1. Stop the charging session using the vehicle's touchscreen, the mobile app or the charging station's screen.
 2. Unlock the vehicle's charge port.
 3. Hold the charging handle with one hand and the CCS 1 Adapter with the other hand and pull both toward you simultaneously.
- NOTE:** When holding the charging handle, do not press its button.
4. Remove the CCS 1 Adapter from the charging handle by pressing the button on the handle and pulling the CCS 1 Adapter away from the handle.
 5. Return the charging handle to its dock on the charging station.
 6. Store the CCS 1 Adapter in the vehicle for future use.

After-sale Service

Our product comes with a 12 months warranty from the day of purchase. If you have any question, please feel free to contact us.

E-mail: contact@evdances.com

Website: <https://evdances.com>

