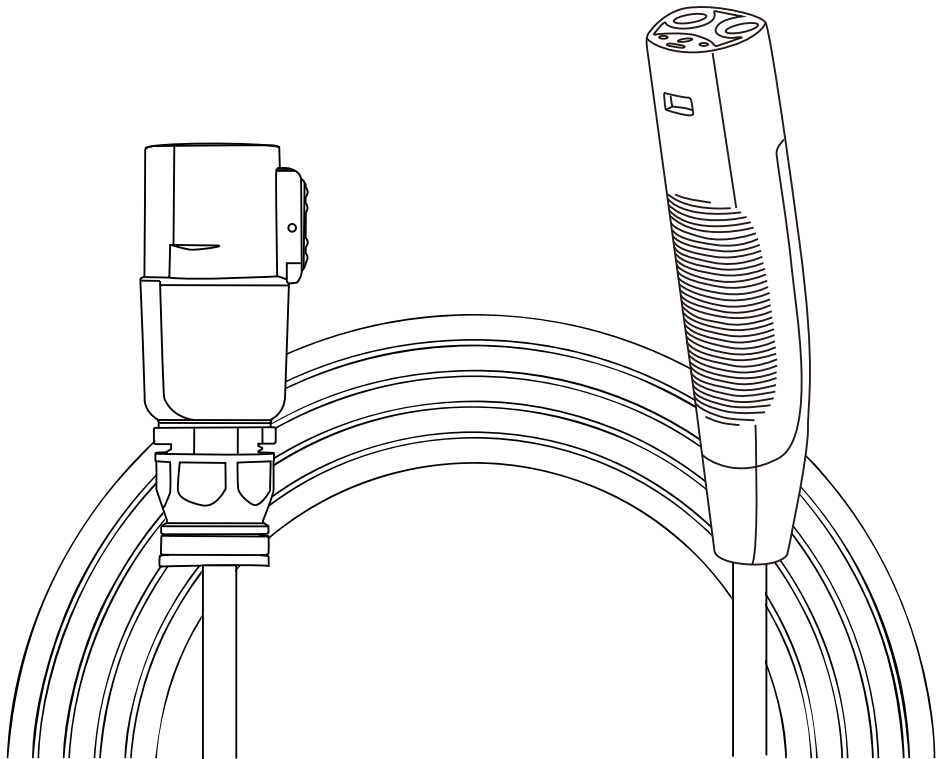




TESLA NACS EXTENSION CABLE

User Manual

Model: EV-AC05001T / EV-AC05002T



Please read the user manual carefully before use



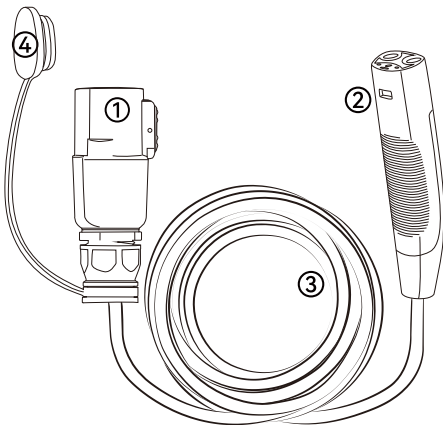
WARNINGS

- ⚠ Please use the Extension Cable only within the specified operating parameters.
- ⚠ Do not use the Extension Cable if it is defective, appears cracked, frayed, broken or otherwise damaged, or fails to operate.
- ⚠ Please keep the product clean and place the product in a clean, low humidity environment, avoid moisture or water. If water or moisture gets into the Extension Cable, the power must be turned off immediately to avoid a hazard.
- ⚠ Do not insert any object into either the charging inlet or the connector of the cable.
- ⚠ Please use the Extension Cable properly. Do not hit or press hard on the case. Please don't cut the rubber cap off because it can protect the connector.
- ⚠ Avoid placing the Extension Cable near hot objects and at high-temperature locations and away from dangerous substances such as flammable gases and corrosive materials.
- ⚠ Please make sure the plug is fully locked and secure when charging.
- ⚠ Do not unplug the connector casually when charging.

PRODUCT SPECIFICATIONS

Voltage	110V-240V AC Single-phase
Current	50A Max
Power	12kW Max
Cable Material	TPE+Copper
Cable Gauge	2*8AWG+1*10AWG+1*18AWG
Operating Temperature	-22°F to 122°F (-30°C to 50°C)
Storage Temperature	-40°F to 185°F (-40°C to 85°C)
IP Rating	IP66
Total Length	21 Feet / 40 Feet

PRODUCT OVERVIEW



- ① Tesla NACS Charging Inlet
- ② Tesla NACS Charging Connector
- ③ Charging Cable
- ④ Protective Cap

HOW TO CONNRCT

1. Turn off the vehicle, and completely insert the EV charger's plug into the power outlet.
2. Take off the protective cap and connect the charger's connector to the charging inlet of the extension cable.
3. Plug the charging connector of the extension cable into your vehicle and start charging.

HOW TO DISCONNECT

1. Unlock the vehicle and pull the charging connector out of the charge port.
2. Disconnect the charger's connector from the charging inlet of the extension cable.
3. Put on the protective cap then put the extension cable into the storage bag, and store it in an appropriate location.

AFTER-SALE SERVICE

Our product comes with a 12 months warranty from the day of purchase. If you have any question, please feel free to contact us.

E-mail: contact@evdances.com

