

Dimension: 2.75"w x 0.84"h

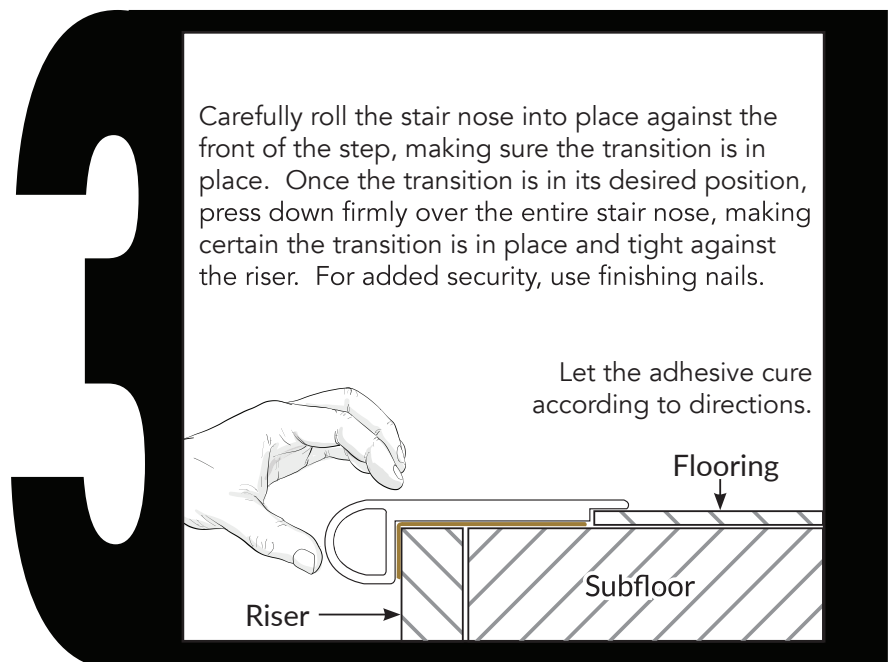
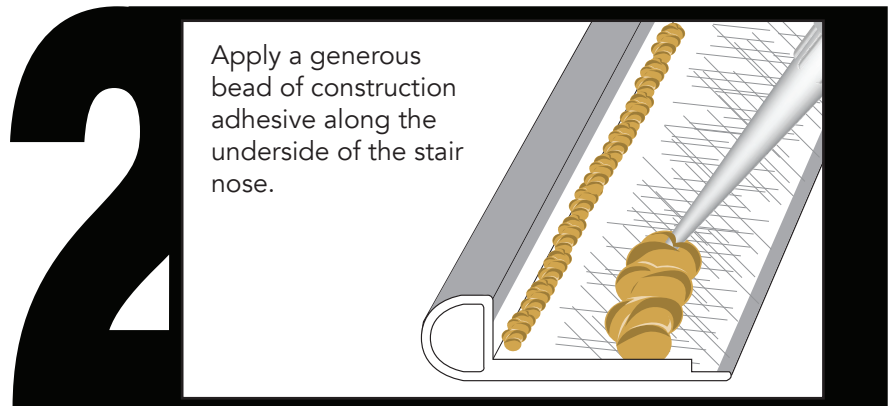
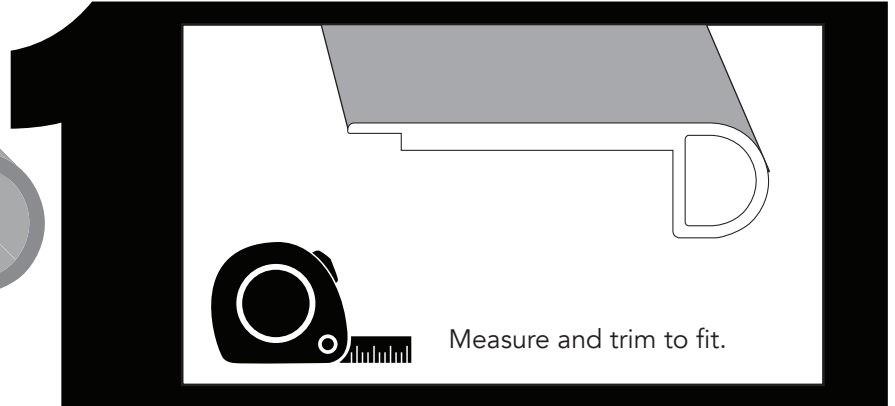
# V-FSN-15

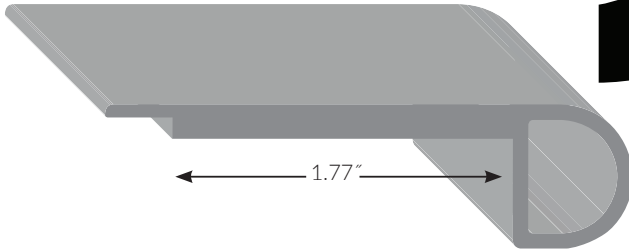
## WATERPROOF STAIR NOSE

Used to finish the end of a step

\*Overlap Installation

**Surface:** Wear resistant  
**Core Material:** Rigid PVC





Dimension: 2.75" w x 0.84" h

# V-FSN-15

## WATERPROOF STAIR NOSE

Used to finish the end of a step

\*Flush Installation

**Surface:** Wear resistant  
**Core Material:** Rigid PVC

