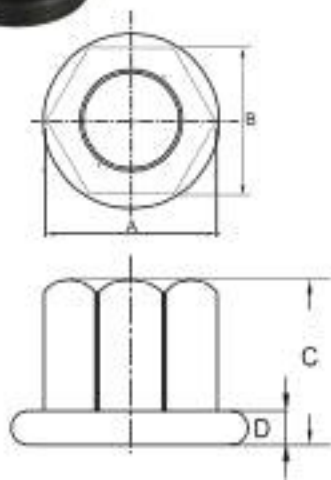




# Flange Nut

HRC 34°



## Metric Size

ORDER NO.	Thread	A	B (Mm)	C	D	Weight (kg)	CODE NO.
4512	M8x1.25	19	13	8	2	0.013	1003-050
4513	M10x1.5	22	17	12	4	0.023	1003-051
4514	M12x1.75	28	19	17	5	0.043	1003-052
4514M	M14x2.0	28	22	17	5	0.047	1003-053
4515	M16x2.0	35	26	20	6	0.087	1003-054
4516	M18x2.5	40	32	25	6	0.10	1003-055
4517	M20x2.5	40	32	25	6	0.092	1003-056
4518	M24x3.0	50	41	32	6	0.3	1003-057

## Inch Size

ORDER NO.	Thread	A	B (Mm)	C	D	Weight (kg)	CODE NO.
4512I	5/16-18	19	14	9	2	0.013	1003-050I
4513I	3/8-16	22	17	12	4	0.023	1003-051I
4514I	1/2-12NC 1/2-13NC	28	19	17	5	0.043	1003-052I
4515I	5/8-11	35	26	20	6	0.087	1003-054I
4516I	3/4-10	40	32	25	6	0.092	1003-055I
4517I	7/8-9	40	32	25	6	0.12	1003-056I
4518I	1-8	50	40	32	6	0.12	1003-057I