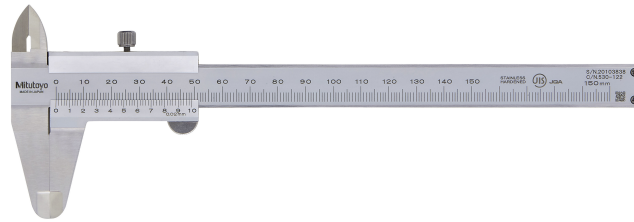


Vernier Calipers

Series 530

This is a standard type of vernier caliper that offers you the following benefits:

- Main scale and vernier scale satin chrome finish gives you high readability.
- Raised sliding surfaces



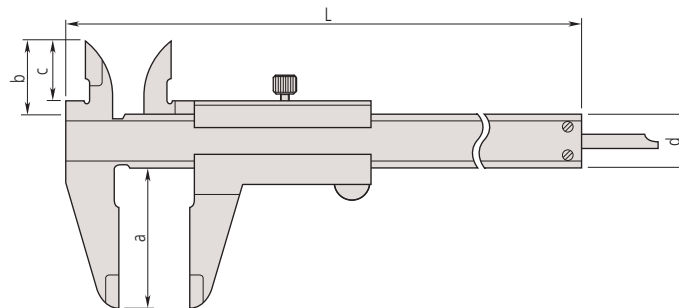
530-122

Metric

No.	Range [mm]	Graduation	Depth bar	Max. Permissible Error E MPE	Max. Permissible Error S MPE	Mass [g]	L [mm]	a [mm]	b [mm]	c [mm]	d [mm]
530-122	0 - 150	0,02 mm	flat	±0,03 mm	±0,05 mm	143	229	40	21	17	16
530-123	0 - 200	0,02 mm	flat	±0,03 mm	±0,05 mm	180	288	50	24,5	20,5	16
530-124	0 - 300	0,02 mm	flat	±0,04 mm	±0,06 mm	355	404	64	27,5	22	20
530-100	0 - 100	0,05 mm	∅ 1,9 mm	±0,05 mm	±0,07 mm	128	182	40	21,5	17	16
530-102	0 - 150	0,05 mm	∅ 1,9 mm	±0,05 mm	±0,07 mm	144	229	40	21	17	16
530-101	0 - 150	0,05 mm	flat	±0,05 mm	±0,07 mm	143	229	40	21	17	16
530-108	0 - 200	0,05 mm	flat	±0,05 mm	±0,07 mm	180	288	50	24,5	20,5	16
530-109	0 - 300	0,05 mm	flat	±0,08 mm	±0,1 mm	355	404	64	27,5	22	20
530-501	0 - 600	0,05 mm	without	±0,1 mm	±0,12 mm	1300	780	90	47	38	25
530-502	0 - 1000	0,05 mm	without	±0,15 mm	±0,17 mm	3300	1240	130	60	50	32

Metric/Inch

No.	Range [Inch]	Range [mm]	Graduation	Depth bar	Max. Permissible Error E MPE	Max. Permissible Error S MPE	Mass [g]	L [mm]	a [mm]	b [mm]	c [mm]	d [mm]
530-312	0 - 6	0 - 150	0,02 mm/ 0,001"	flat	±0,03 mm	±0,05 mm	143	229	40	21	17	16
530-118	0 - 8	0 - 200	0,02 mm/ 0,001"	flat	±0,03 mm	±0,05 mm	180	288	50	24,5	20,5	16
530-119	0 - 12	0 - 300	0,02 mm/ 0,001"	flat	±0,04 mm	±0,06 mm	355	404	64	27,5	22	20
530-104	0 - 6	0 - 150	0,05 mm/ 1/128"	flat	±0,05 mm	±0,07 mm	143	229	40	21	17	16
530-316	0 - 6	0 - 150	0,05 mm/ 1/128"	flat	±0,05 mm	±0,07 mm	145	229	40	21	17	16
530-114	0 - 8	0 - 200	0,05 mm/ 1/128"	flat	±0,05 mm	±0,07 mm	180	288	50	24,5	20,5	16
530-115	0 - 12	0 - 300	0,05 mm/ 1/128"	flat	±0,08 mm	±0,1 mm	355	404	64	27,5	22	20

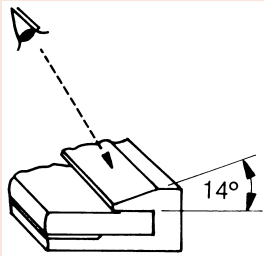


Specifications

Delivered | In a box

Optional accessories

No.	Description
050083-10	Depth Base Attachment for Caliper, 75mm width, 75mm width for 100, 150, 200mm Range
050084-10	Depth Base Attachment for Caliper, 100mm width for 100, 150, 200mm Range
050085-10	Depth Base Attachment for Caliper, 125mm width for 300mm Range



Easy reading due to vernier scales inclined by 14 degrees

Metr. ISO-Gew			
Nenn est. ext. φ mm	Stg. Passo Pas mm	Kern fond int. nucleo φ mm	Bohr trap mecha broca φ mm
3	0,5	2,46	2,5
4	0,7	3,24	3,3
5	0,8	4,13	4,2
6	1	4,92	5
8	1,25	6,65	6,8
10	1,5	8,38	8,5
12	1,75	10,11	10,2
16	2	13,84	14
20	2,5	17,29	17,5
Whitworth			
φ in.	G9/in.	φ mm	φ mm
1/4	20	4,72	5,0
5/16	18	6,13	6,4
3/8	16	7,49	7,7
1/2	12	9,99	10,25
5/8	11	12,92	13,25
3/4	10	15,8	16,25
7/8	9	18,61	19
1	8	21,34	21,75
101995			

530-316 only