

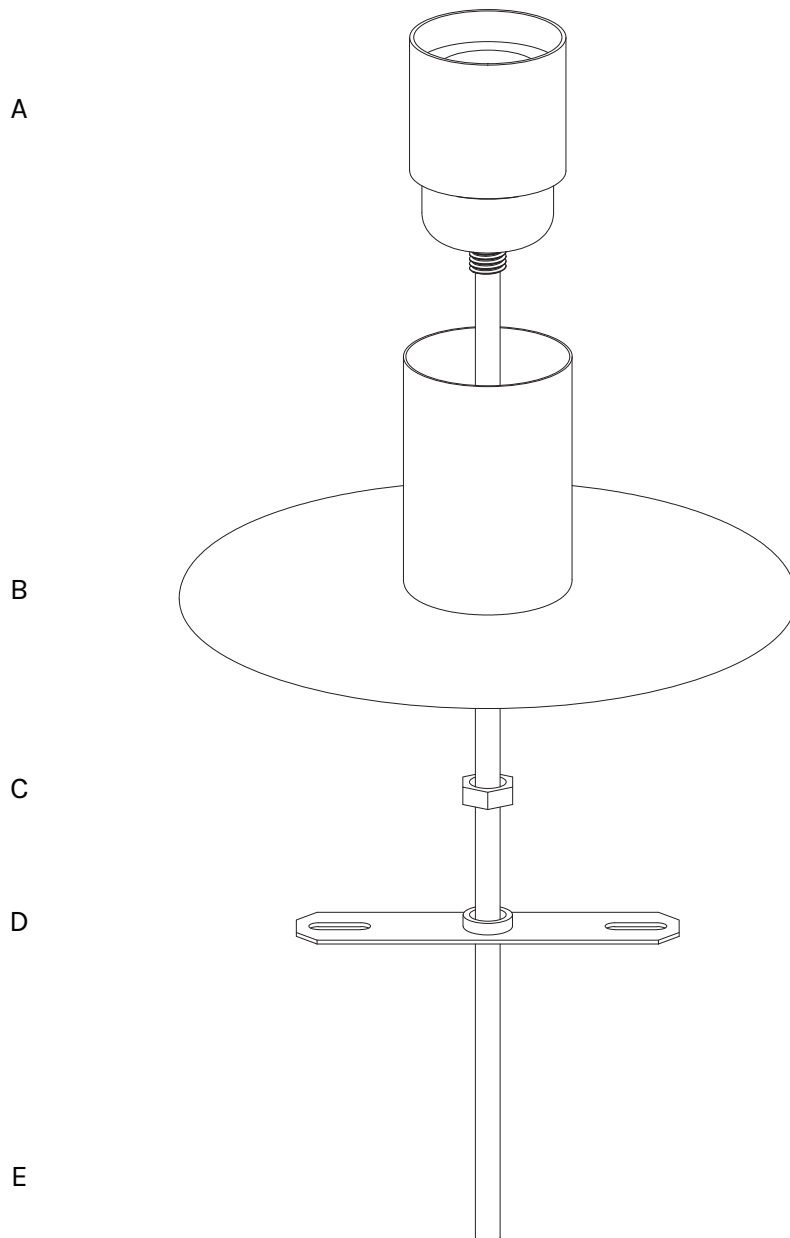
Dowel Jones



Lord Sconce

Turn off power at breaker before installation.
Lord sconce can only be installed by a qualified electrician.

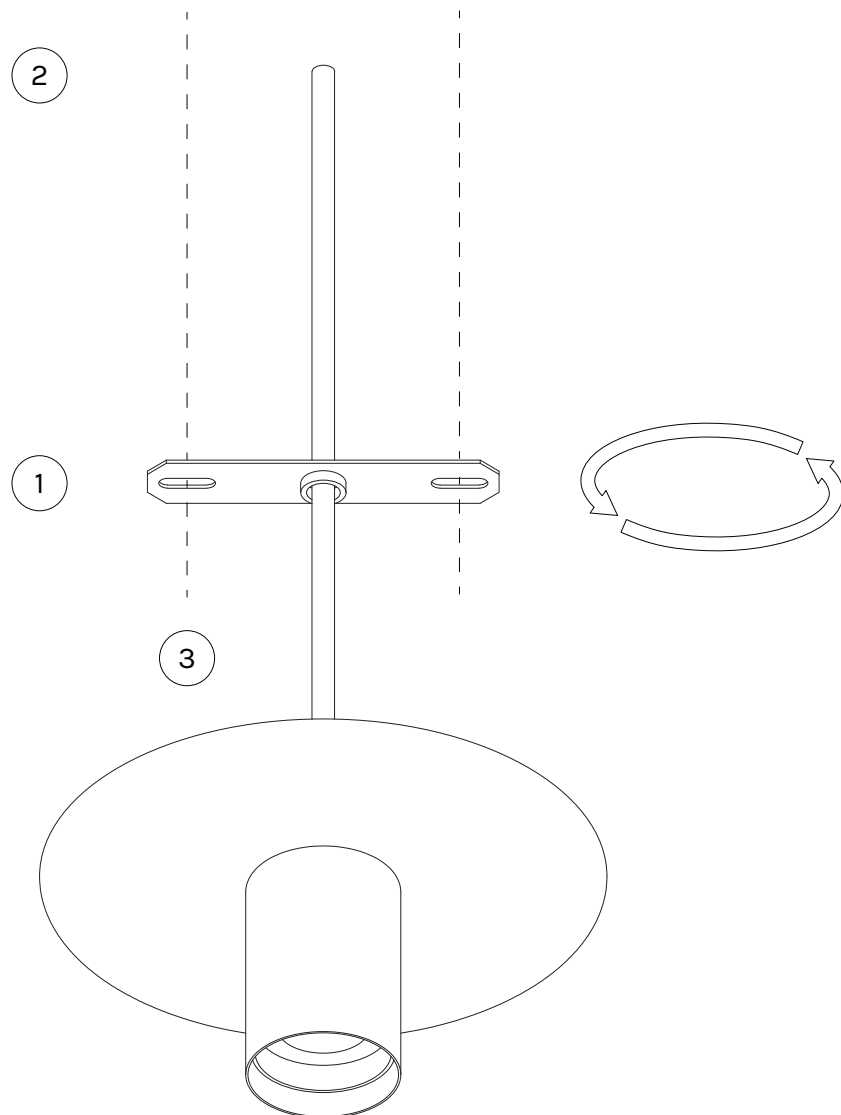
Exploded Assembly



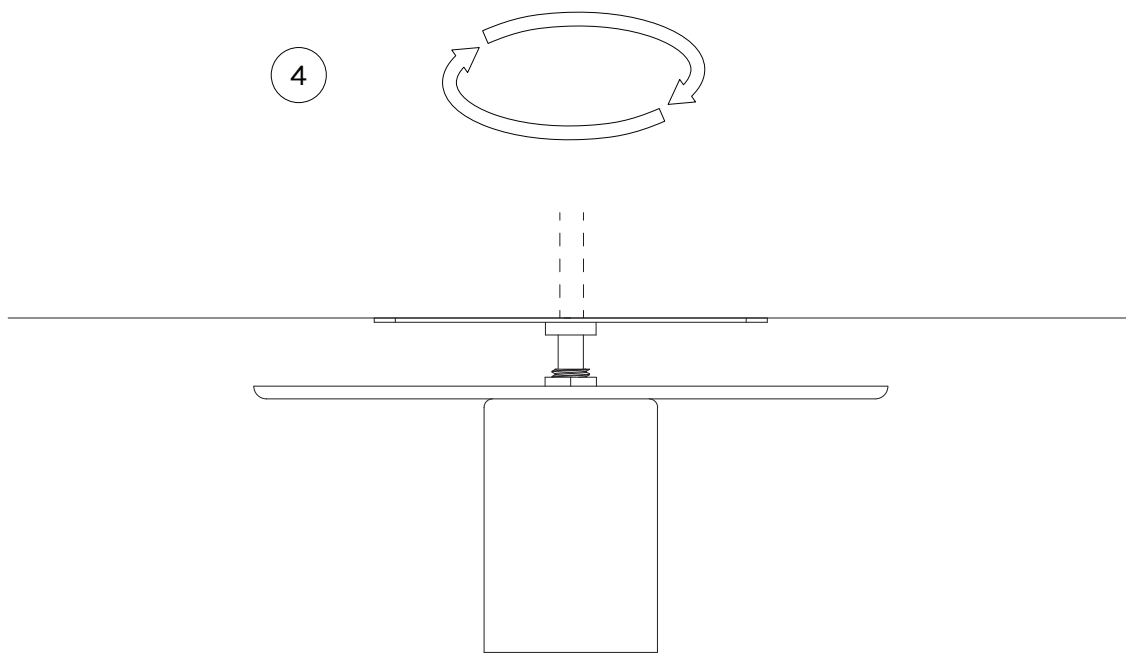
- A E27 Lamp Holder
- B Cup and Back Plate
- C Nut
- D Mounting Plate
- E 3-core Cord

The Lord Sconce will arrive assembled,
break down of parts shown for
reference only

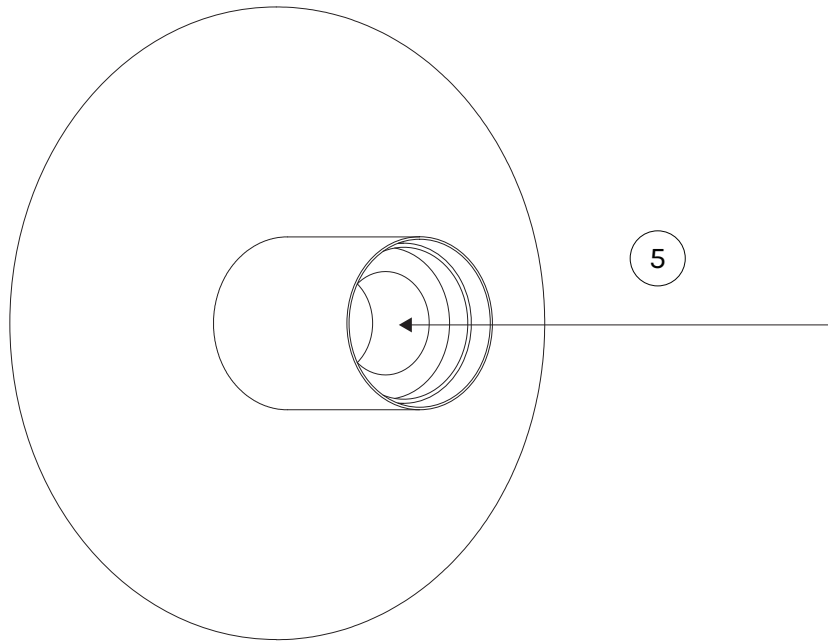
Installation



- 1 Gently counter-clockwise unwind the Mounting Plate from the nut and assembly
- 2 Screw mounting plate onto wall, ensuring the flat face is against the wall
- 3 Connect 3-core Cord to power



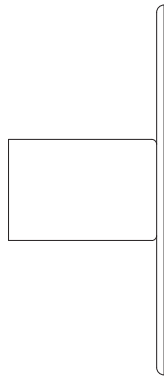
- 4 Gently clockwise wind the assembly onto the Mounting Plate, matching the male thread onto the female thread



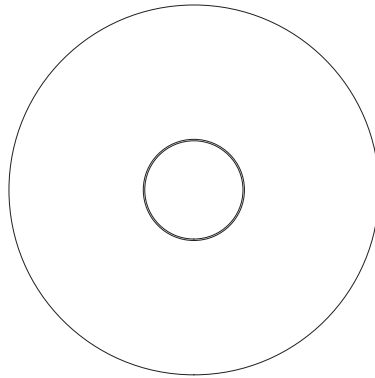
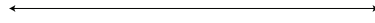
- 5 Gently clockwise insert lightbulb into lamp holder

Sizes

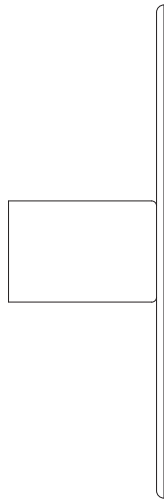
Lord Sconce I



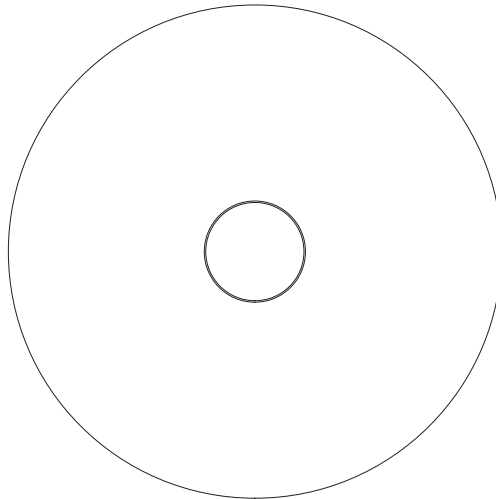
150mm



Lord Sconce II



200mm



Specifications

Please note the Lord Sconce must be mounted 1.8m AFFL

Lord Sconce cannot be mounted onto brick wall unless a cavity is available behind the light

IP Rating 20, not suitable for wet areas

240V Voltage

E27 Globe Type

Recommended Globe Low wattage LED or CFL

Max wattage 45W

Bulbs not included