

# Dowel Jones



## Lord Sconce

Lord Sconce is a simple understated wall light. Lord Sconce enjoys being placed above your shoulder or head and can also be used as a ceiling fixture.

- Available in powder coated finish or brass
- Standard light fitting for bulb availability
- Square back plate on request

Available in 2 sized backing plates (150mm and 200mm), Lord Sconce is stamped from solid brass resulting in a smooth and clean product suitable for any space. Lord Sconce is also available in a powder coated finish.

Description

Pendant Light

Environment

Indoors Only

Dimensions

150dia x 61mm  
200dia x 61mm

Materials

Powder coated Steel  
Brass

Voltage

240V

Globe Type

E27

Rating

IP20

Installation

Must be installed by a qualified electrician

Recommended Globe

Low wattage LED or CFL  
Max wattage 45W

Notes

Bulbs not included

Cleaning

Please see our Care & Maintenance Guide

Standard Colours

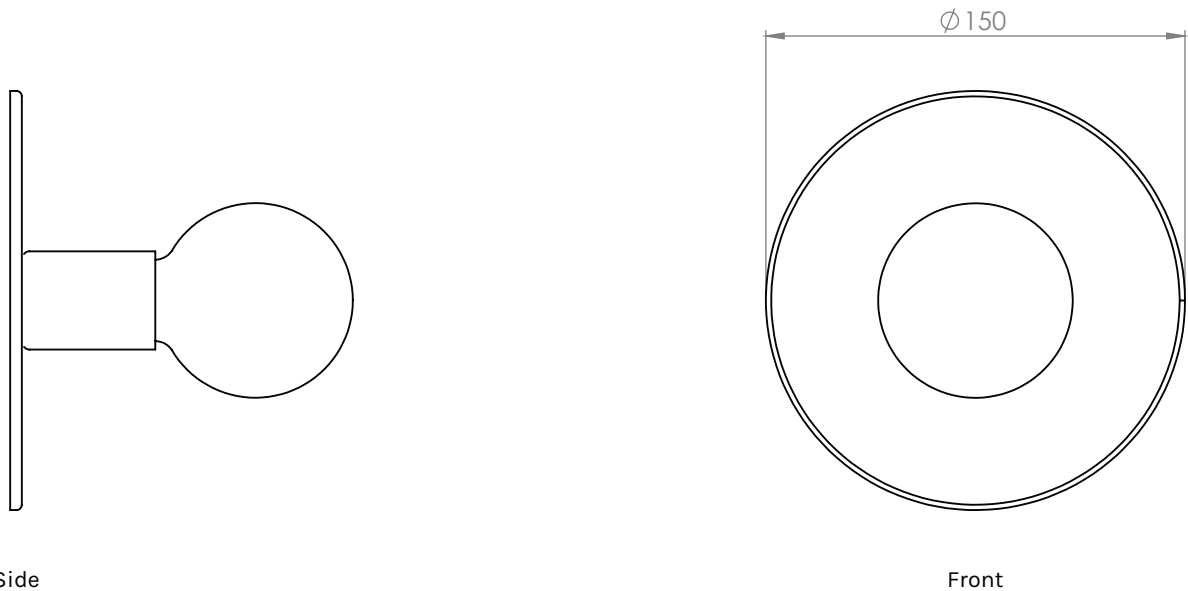
- Satin Black
- Ace Black
- APO Grey
- Pearl White
- Hawthorn Green
- Pale Eucalypt
- Transformer Grey
- Blue Ridge
- Wedgewood
- French Blue Blaze Blue
- Horizon Blue
- Manor Red
- Signal Red
- Orange X15
- Lemon Yellow
- Dark Violet
- Dusty Pink
- Rivergum Beige
- Riversand

Please contact [info@doweljones.com](mailto:info@doweljones.com) for additional colours



## Notes

Must be mounted 1.8 metres AFFL  
Consult your electrician for wet areas  
Lord Sconce cannot be wired for a GPO,  
as it is a flush mount fitting it is only  
suitable for hard wiring  
Cannot be mounted onto brick without  
prior consultation



## Fixing Mount

