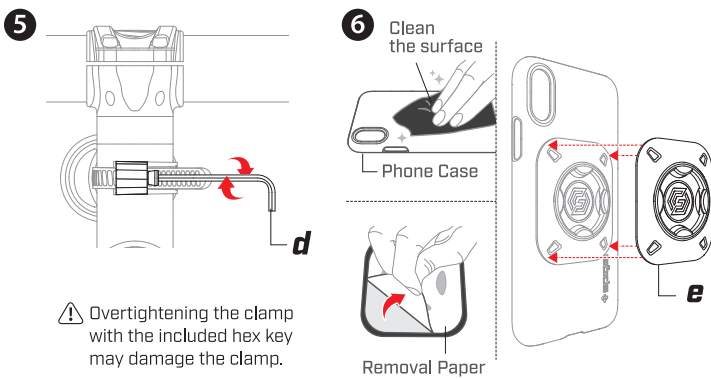
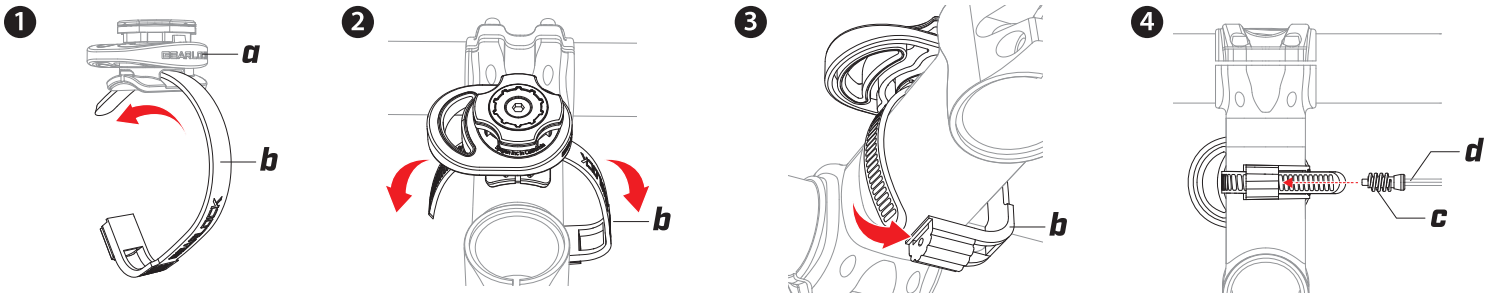


Stem/Handlebar BIKE Mount Installation



WATCH OUR USER GUIDE
<http://install.gearlock.com>

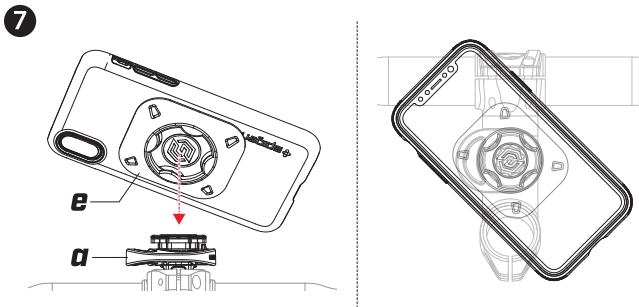
a. Out-Front BIKE Mount **b.** Universal Mount **c.** Mounting Bolt **d.** Hex Key
e. Spacer



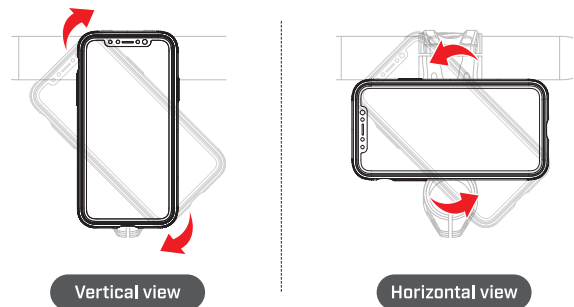
⚠ Overtightening the clamp with the included hex key may damage the clamp.

Universal Mount

- Attach the universal mount adapter to a polycarbonate case, and not directly to your device. Do not attach mount to TPU, silicon, or any other soft material, as the adhesive may not bond properly.
- The adhesive tape is not reusable. Once it is installed, it may be difficult to remove.
- The adapter works best with plastic materials and may lose adhesive power when attached to soft-surfaced materials such as TPU or silicone.
- Do not attach the mount directly onto the device. It may cause damage on the surface of the device due to a strong adhesion when removing.

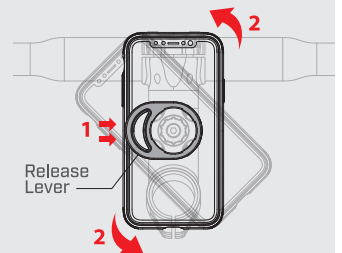


8 Twist device until a click is heard to ensure a secure lock. Once locked in place, make sure the mount is secure.



Remove

While pressing the Release Lever, rotate the device 45 degrees to remove.



⚠ Attention Point

- When the cross gear is not aligned properly, twist the cross gear to align manually while pressing the release lever.
- When mounting, place the device and the mount horizontally aligned to avoid damaging the product and malfunction.
- Using excessive force to rotate the device while failing to press the release lever may cause damage to the mount.
- **Operating mount while bicycle is in motion can be dangerous. Please make adjustments only while stopped.**