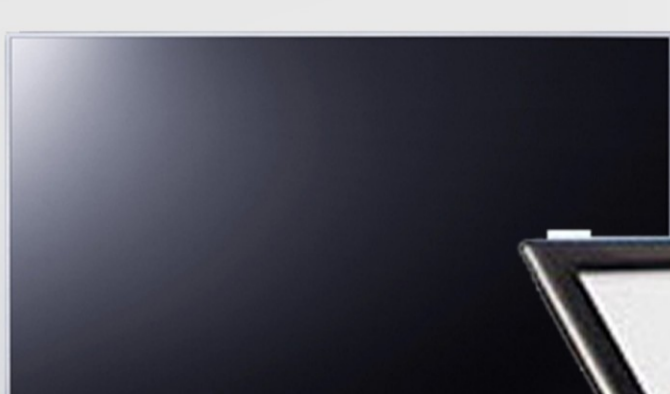




LCD TV Stand for Touch Screen

Rkt01



Tilting mount for angling TV



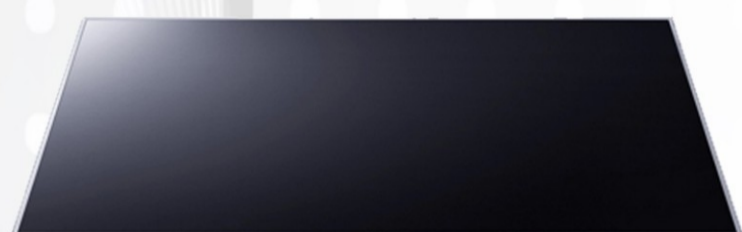
The most flexible and multifunctional TV stand. the product is optimized for touch screen applications. Any touch screen O/S gives it a built in touch screen functionality and an additional dimension.

As a table the tv stand can be used as a presentation or sketch board (needs a compatible LCD/ LED Touch Screen TV's and suitable software).

Our tv Stand 110 Tilt and Table has a versatile usage area. Mainly made out of light weight aluminum it is both heavy duty, light weight and will support most ideas and environments it is placed in.

When developed much emphasize has been put into the stability and overall quality of the tv stand, both when in place, but also when in movement. A sophisticated tv stand base with wheels are included to make it easy to move around. This means the product is very easy to move around, even when a screen is installed. Making this a perfect partner for use in public environments such as conference rooms, class rooms or hospitals.

Base for good looks and stability



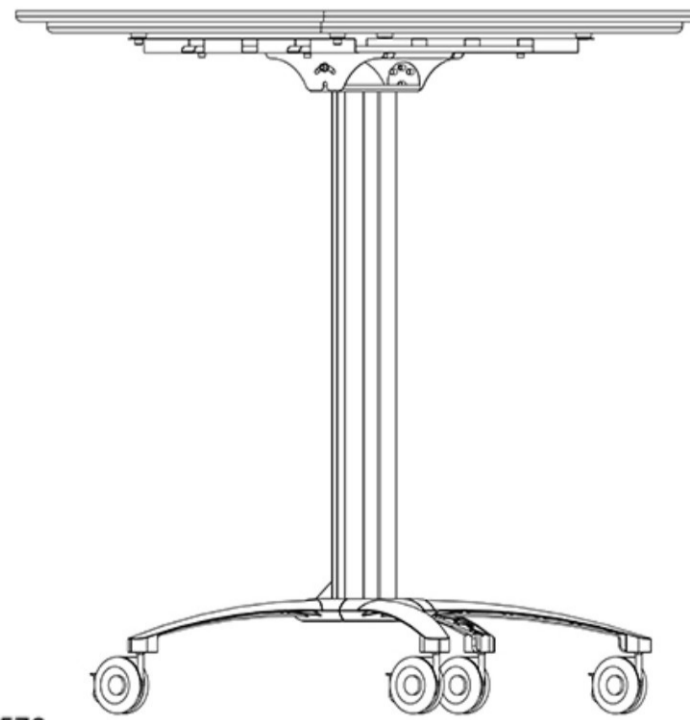
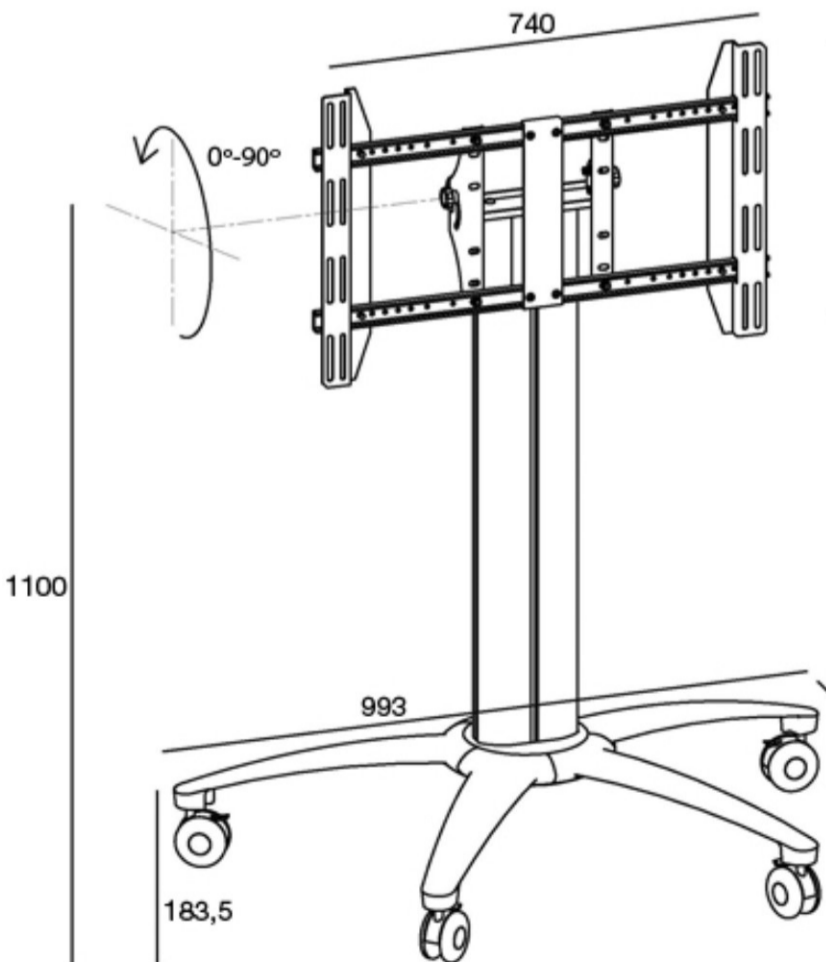
4 high grade lockable caster



4 Electric outlet point on pole



For screen size	32 to 55"
VESA standard	Up to 700X400mm
Adjustable height / Til	No / Yes, to table position, 0-90°
Weight	20kg.
Height when in table position with castors (wheels)	1100mm
Height when in table position with optional Floor stand base	920mm
Color	Silver or black
Max load	80kg.
Power rail 220V	Built-in
Screen position	Landscape or table position
Wheels	yes



Ergonomic Corporation (Hong Kong) Limited.

Office 1:
2nd floor Eton tower 8,
Hysen Avenue Causeway, Hongkong.

☎ Tel.: 852-98226451
✉ info@ergohongkong.com
🌐 www.ergohongkong.com

Office 2:
Room no. 28, block B, 5 floor, Mai Tak Industrial building,
221 wai yip street, kwun tong, kowloon, Hongkong

☎ Tel.: 852-98226451
✉ info@ergohongkong.com
🌐 www.ergohongkong.com