



## Universal Mobile TV Stand with AV Cabinet

A TV stand with locking storage is an economical entertainment center for commercial use that is finished in powder coated. Designed in modular construction, it is easy to install and set up and disassemble. AV cabinet designed for keeping your interactive peripherals and accessories safe and neat. Integrated cable management through routing cables holes at the back of the cabinet. Flexible and installer-friendly. Easy and convenience. Perfect space saver and mobility. Shelf above TV provide for camera for Video conference application .Includes 4X smooth rolling casters for effortless positioning as mobile workstation TV cart.

Perfect  
Space  
Saver  
and  
Mobility



Shelf above TV provide for **camera** for Video conference application

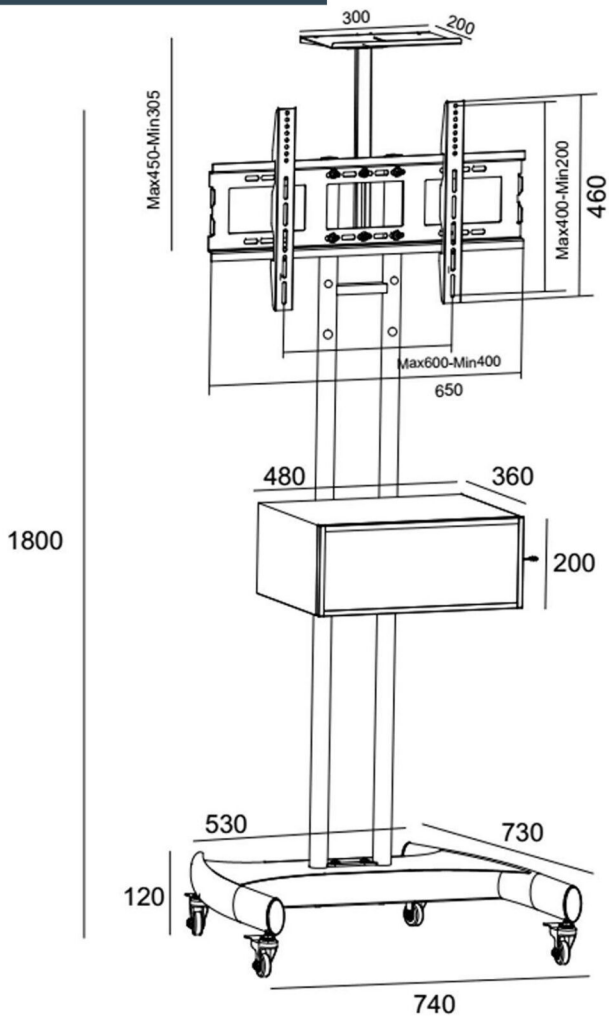
Holds most **32"** to **65"** LCD, LED, OLED, Flat Screens TVs, VESA patterns from **200x200mm (min)** to **600x400mm (max)**

AV cabinet for your **gaming console, DVD player, electronic accesories** and other equipment

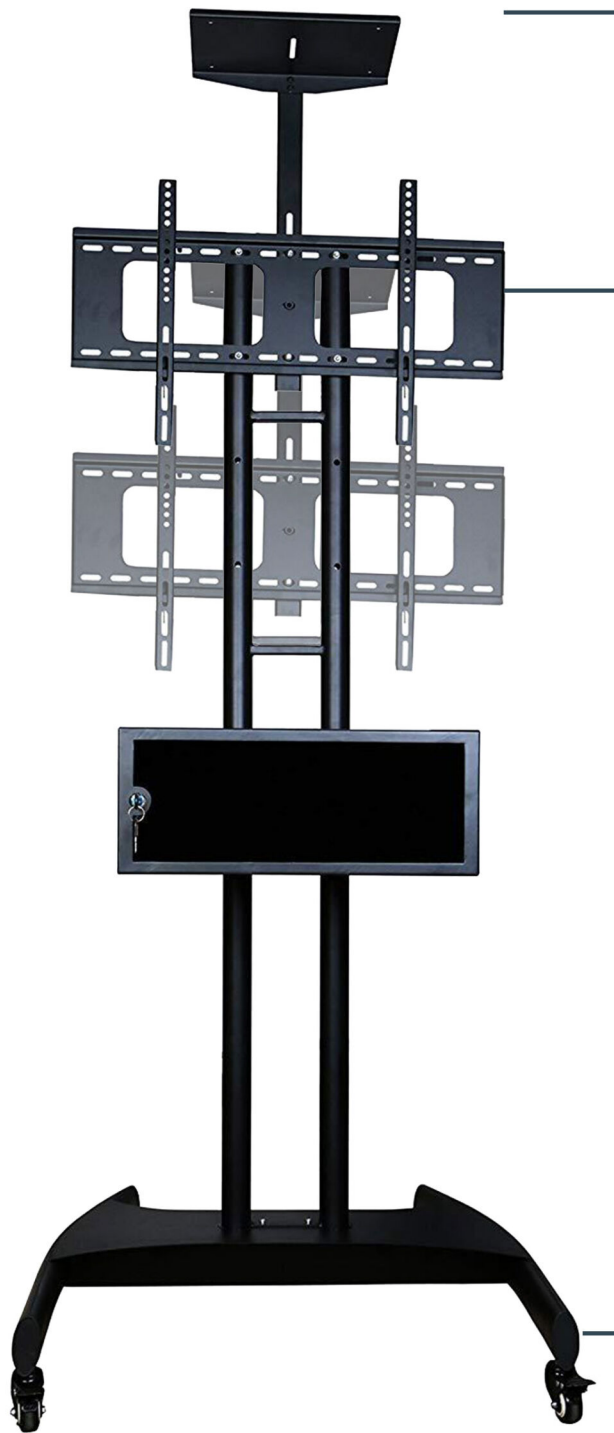


Cart has **4 wheels** which can be locked to make the cart stationary or mobile when needed

## Specification



You can adjust the height of your TV from 124 cm to 59 1740 cm (floor to center of your TV)





4X smooth **rolling casters** for effortless positioning as mobile workstation TV cart



Flexible and **installer-friendly**.  
Easy and convenience

## Features

1. **SUITABLE:** most 32" to 65" LCD LED OLED Flat Screens TVs up to 50 kg with VESA patterns from 200x200mm (min) to 600x400mm (max).
2. **HIGHLY ADJUSTABLE:** You can adjust the height of your TV from 124 cm to 59 1740 cm (floor to center of your TV).
3. **LOCKING CASTERS:** TV cart has 4 wheels which can be locked to make the cart stationary or mobile when needed.
4. **SLEEK DESIGN:** Internal cable management allows you to hide all the wires inside TV stand column.
5. **ACCESSORIES:** AV cabinet for your gaming console, DVD player , electronic accesories and other equipment. Width: 480 mm Height: 200 mm Depth: 360 mm.

## Contact us



Address 1: Ergonomic Corporation Hongkong Limited, 2nd Floor, Eton Tower, 8th Hysen Avenue Causeway Bay, Hong Kong  
Address 2: Room No. 25, Block B, 5th Floor, Mai Tak Industrial Building, 221 Wai Yip Street, Kwun Tong, Kowloon, Hong Kong

E-mail: [sales@ergoshopping.com](mailto:sales@ergoshopping.com), Website: [www.ergoshopping.com](http://www.ergoshopping.com), Tel: 852-98226451