

Sit-Stand Desktop Workstations

Ergonomic
Comfort & Style

LET YOUR BODY
SPEAK

RTE



EASY TO
OPERATE

TAKE A STAND
AGAINST SITTING

Sit-Stand Desktop Workstations



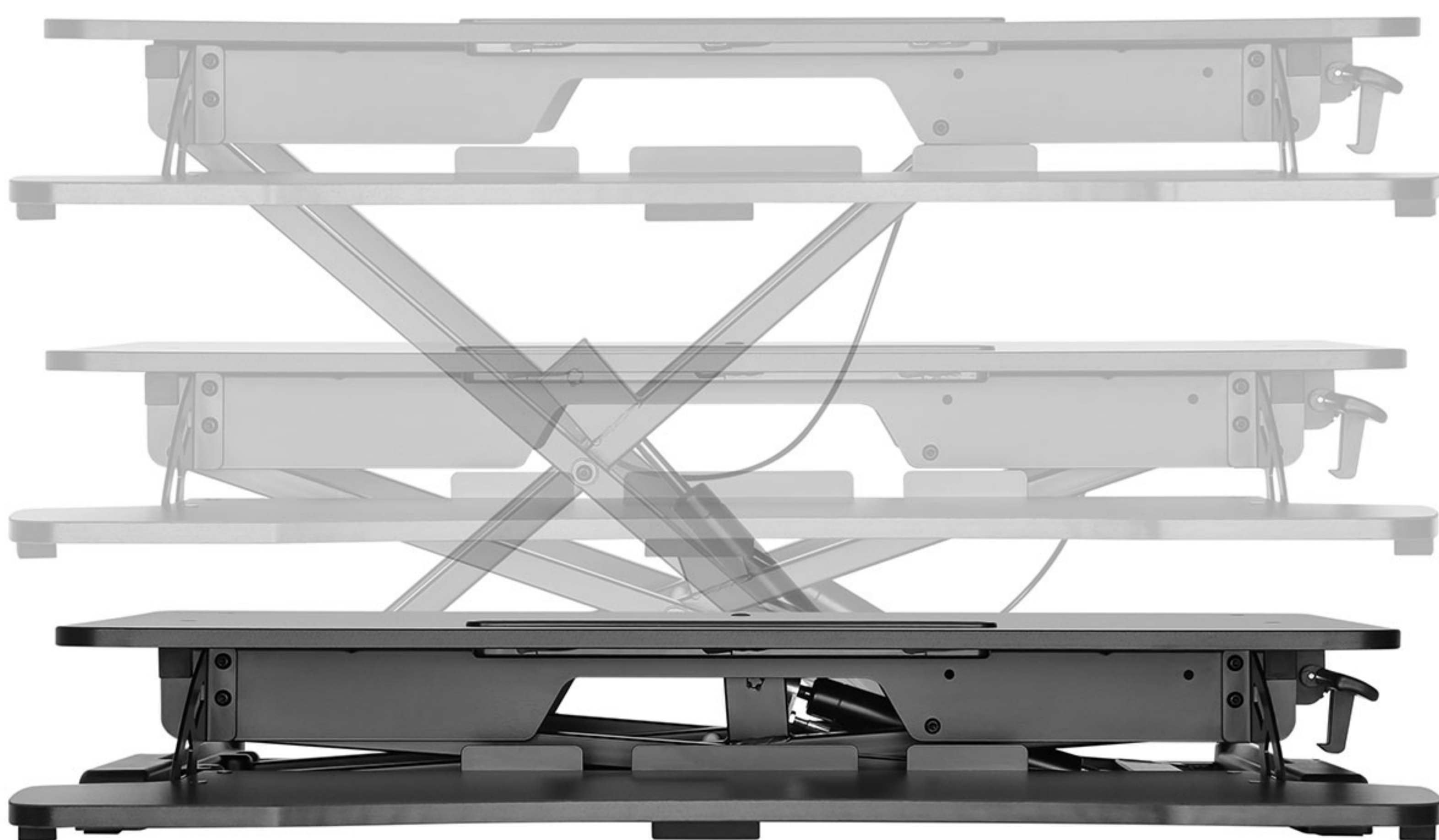
Eco-friendly particle board

finished with solid construction

Gas spring

creates smooth and quick transitions

One of the most tiring aspects of a desk job is sitting at a desk. As the day goes on, your posture gets worse and then you get in a car and sit longer to drive home. No wonder you're exhausted. Our DWS06 Series is an easy-to-use solution to convert your existing desk into a Sit-Stand environment whether you're in a cubby or a large office.



15.5"/394mm

Stepless Height Adjustment



Squeeze handle

effortlessly adjust height



Stepless Height Adjustment
allows a comfortable standing
or sitting position

The Tray is Large
enough to keep keyboard and mouse
side by side and raises and lowers
with the top surface



The Top Surface
measures 31.5" x 15.7" providing
plenty of space for single monitor,
dual monitor

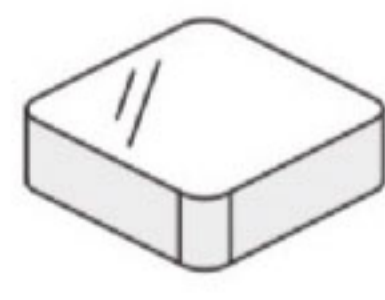
Sit-Stand Desktop Workstations



Weight Capacity
15kg/33lbs



Weight Capacity
2kg/4.4lbs



Desktop Thickness
12mm/0.5"



RTE

Colors

 Black

 White

2 Different Colors



RTEW

The Top Surface

measures 31.5" x 15.7" providing plenty of space for single monitor, dual monitor, and laptop + monitor setups.



The Secondary Surface

has enough space to fit a keyboard and a mouse.



Find the perfect position of comfort for your body height.

A device slot provides extra space for cell phones, pens, pencils, sticky notes, and more.

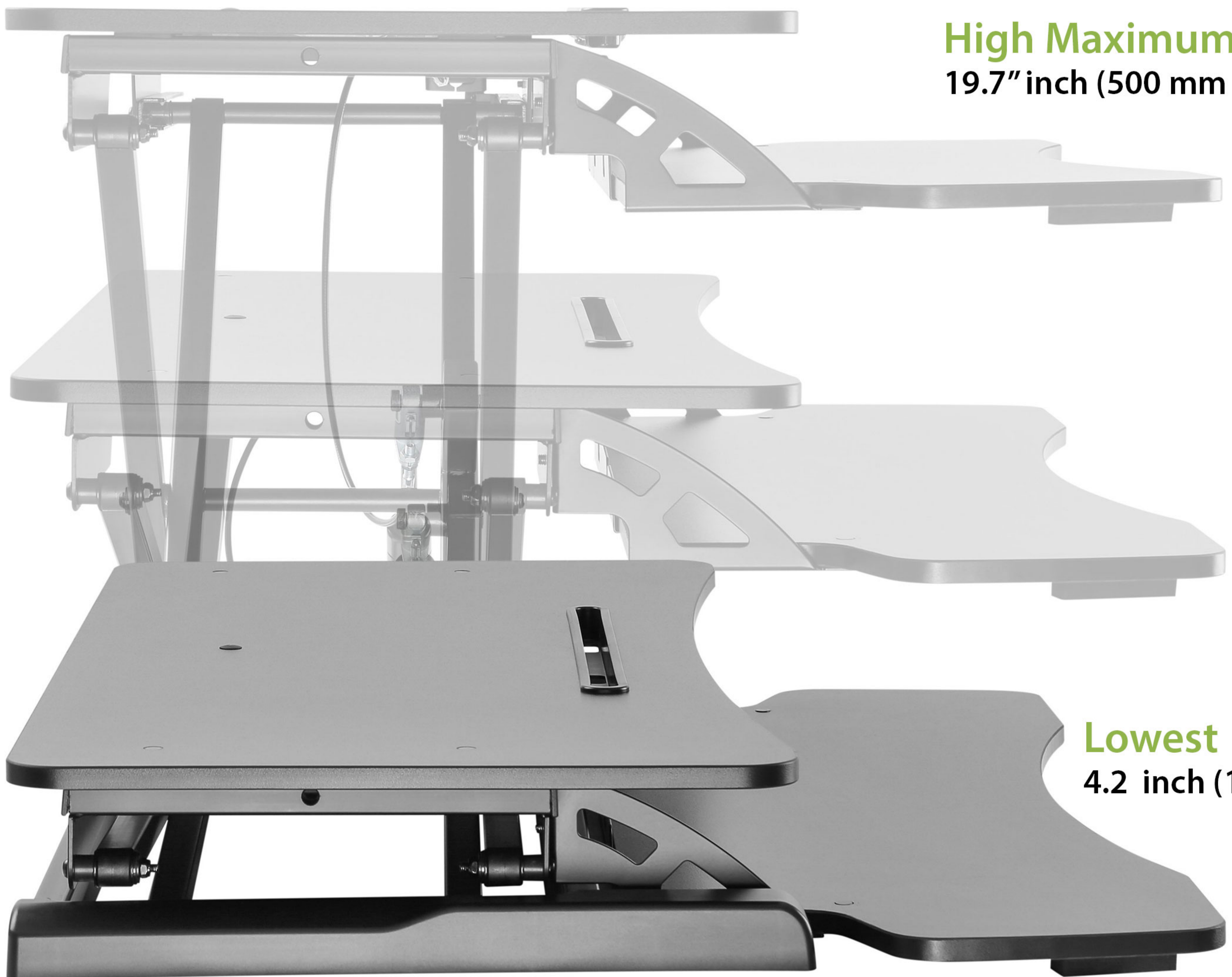


The benefits of standing while working are numerous, including improved posture and increased circulation.

EASY & QUICK TRANSITION



Go from sitting to standing in one easy smooth motion. **Spring lift mechanism** assists with the lifting motion, even with your computer and monitor on it.

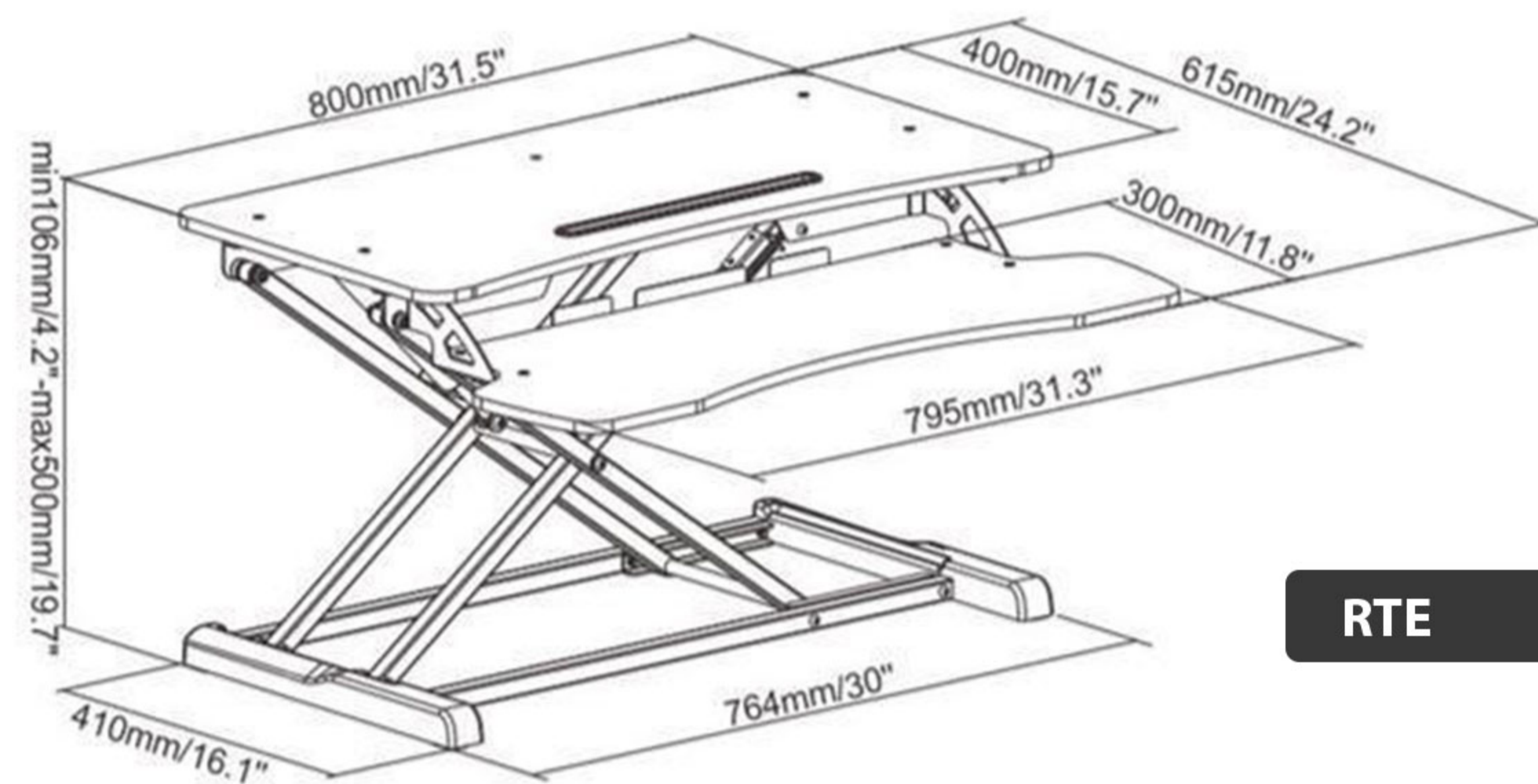


High Maximum
19.7" inch (500 mm)

Lowest
4.2 inch (106 mm)



Particle Board & Melamine
worksurface to create an ergonomic
worksurface to boost your working
productivity



RTE

Specification

1. **Material:** Particle Board & Melamine, Steel
2. **Tabletop Thickness:** 12mm (0.47")
3. **Color:** Black
4. **Dimensions overall:** 800X615X106~500mm (31.5"X24.2"X4.2"~19.7")
5. **Worksurface Size:** 800X615mm (31.5"X24.2")
6. **Height Adjustment:** Stepless, lock any level
7. **Height Range:** 394mm (15.5")
8. **Keyboard Weight Capacity Range:** 2kg (4.4lbs)
9. **Worksurface Weight Capacity Range:** 15kg (33lbs)

Contact us



Address 1: Ergonomic Corporation Hongkong Limited, 2nd Floor, Eton Tower, 8th Hysen Avenue Causeway Bay, Hong Kong
Address 2: Room No. 25, Block B, 5th Floor, Mai Tak Industrial Building, 221 Wai Yip Street, Kwun Tong, Kowloon, Hong Kong
E-mail: sales@ergoshopping.com, Website: www.ergoshopping.com, Tel: 852-98226451