



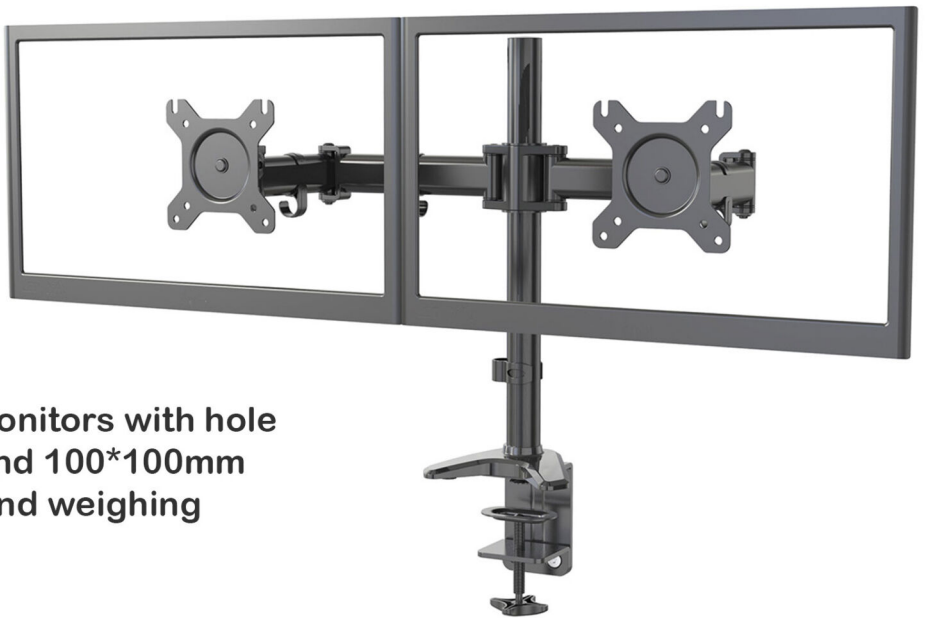
Description

This computer monitor desk mount is height adjustable and can swivel and tilt to help position your monitor at the ideal position. Simple, yet elegant, this clamp-type mount will provide an ergonomic monitor installation. This adjustable mount is perfect for anyone who wants to easily adjust their viewing height to an ergonomic level to help reduce neck, back, and eye strain while opening up valuable desktop space.

Dual Monitor Mount Stand - RC2



Solid Clamp base holds 2 monitors, helping you save space and reduce clutter.



Dual monitor stand can fit monitors with hole patterns (VESA) 75*75mm and 100*100mm and screen sizes up to 27" and weighing up to 17.6 lbs.



The adjustable arm offers -90°/+35° tilt, 180° swivel, 360° rotation, and height adjustment along the center pole.



Specifications:-

1. Screen Size: 13"-27".
2. Load: 8kg/17.6lbs.
3. Tilt: -90°/+35°
4. Swivel: 180°
5. Rotation: 360°
6. Vesa: 75x75,100x100mm.



Contact us



Address 1: Ergonomic Corporation Hongkong Limited, 2nd Floor, Eton Tower, 8th Hysen Avenue Causeway Bay, Hong Kong
Address 2: Room No. 25, Block B, 5th Floor, Mai Tak Industrial Building, 221 Wai Yip Street, Kwun Tong, Kowloon, Hong Kong
E-mail: sales@ergoshopping.com, Website: www.ergoshopping.com, Tel: 852-98226451