



Dual Monitor Mount



Heavy duty monitor holder

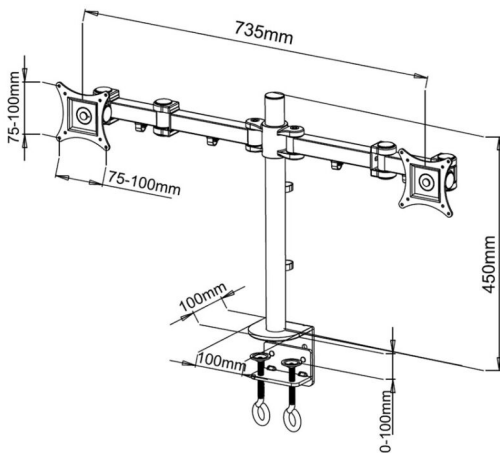


Heavy Duty Fully Adjustable Arm fits



Keep your power and AV cables super organized

Dimensions



Features

- 1 COMPATIBILITY** - Our dual monitor mount can fit two screens 13" to 27" in size and 22 lbs in weight, each with 75x75mm or 100x100mm backside mounting screw holes.
- 2 FULL ARTICULATION** - Adjustable arm's rotate 360° swivel, 360° rotation and 15° tilt. With height adjustment along the center pole. Monitor can be positioned in portrait or landscape positions
- 3 DESK CLAMP** - Mounts to the back of any desk (up to 4" thick) via a heavy-duty C-clamp or optional grommet mounting mechanism.
- 4 CABLE MANAGEMENT** - Allows you to keep your power and AV cables super organized with detachable cable clips on the arms and center pole
- 5 EASY INSTALLATION** - Mounting your monitors is a very simple process with the detachable VESA bracket plates. We provide the necessary tools, manuals, and hardware for easy assembly

Contact us



Address 1: Ergonomic Corporation Hongkong Limited, 2nd Floor, Eton Tower, 8th Hysen Avenue Causeway Bay, Hong Kong
Address 2: Room No. 25, Block B, 5th Floor, Mai Tak Industrial Building, 221 Wai Yip Street, Kwun Tong, Kowloon, Hong Kong

E-mail: sales@ergoshopping.com, Website: www.ergoshopping.com, Tel: 852-98226451