

# MULTIMEDIA STANDS

Lectures

Presentation

Schools

Hospitals

Presentation

Classroom

Offices





## MULTIMEDIA STAND

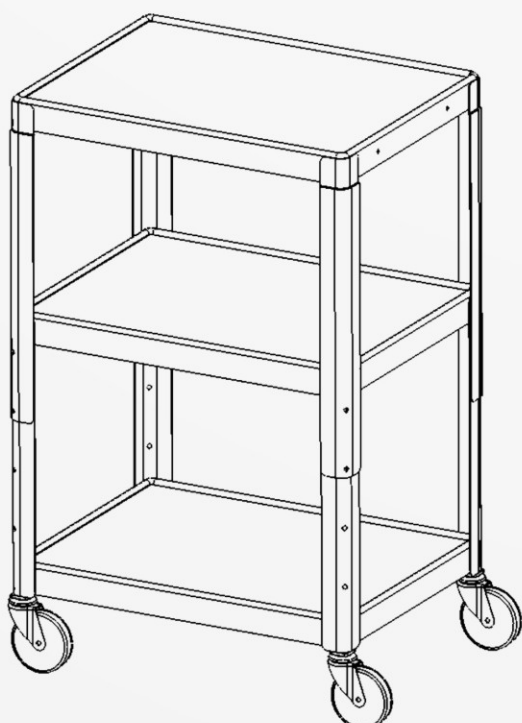
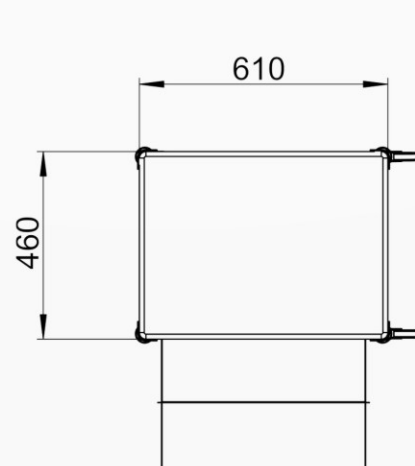
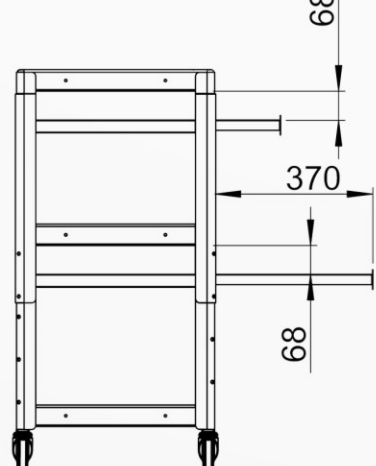
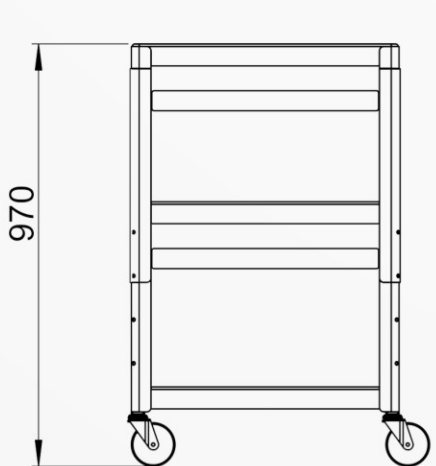
Audio-Visual Mobile Carts safely store, organize and transport your office products (like computers, projectors, TVs, AV equipment, printers and laptops) for your lecture or business presentation. Once you get set up, our carts double as stands that securely hold your projector or TV at just the right angle for optimal visibility. Choose from a variety of sizes and designs that make a great fit in any classroom, office or conference room.

Perfect for the office or classroom in transit, this Metal Adjustable AV Cart by serves all the basic purposes one needs to put on a great office or commercial environment like education or hospital . This cart is made from durable heavy gauge steel and features an adjustable design to fit all your AV and office needs. A power cord and four-outlet strip also ensure that your laptop, projector or TV are powered wherever you bring your cart.



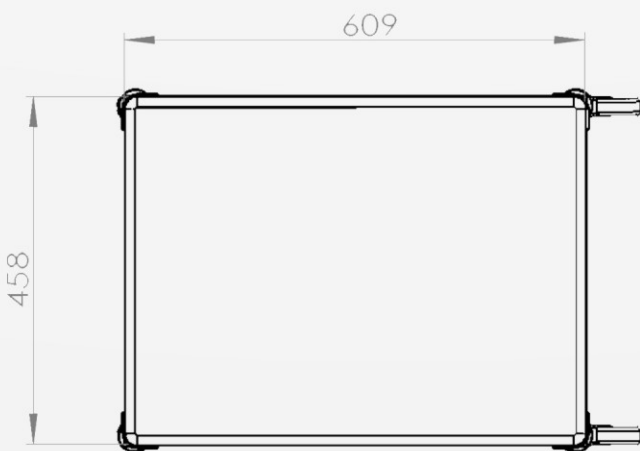
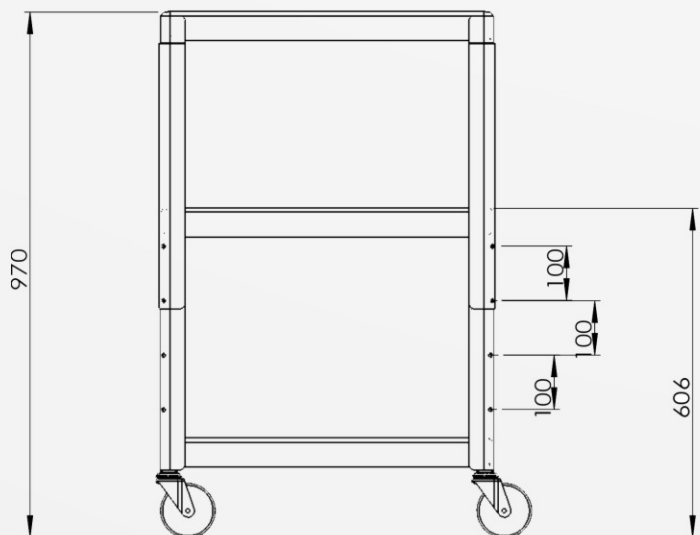
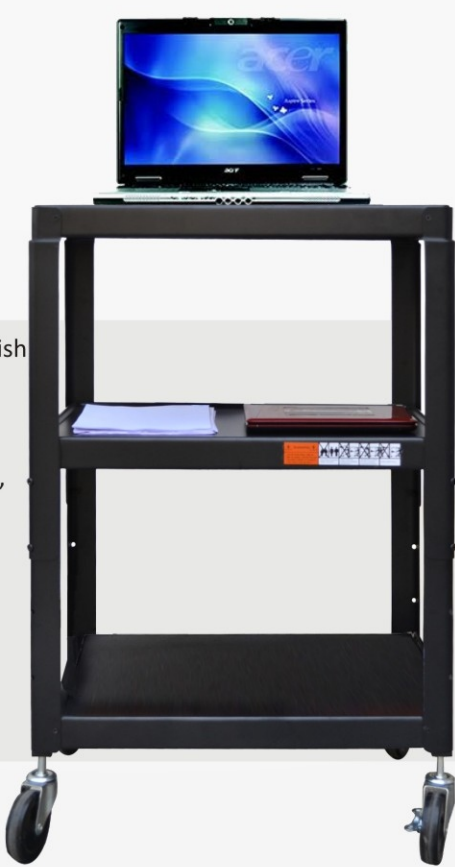
Dark Black Metal Construction desktop finish with black powder coat painted.  
2 laptop shelf & 2 fix shelf  
Polyethylene shelves will not scratch, dent, rust or stain  
Built in cord wrap  
24"W x 18"D x 34"H  
400 lb. weight capacity  
Easy assembly  
Color: Black

C 54



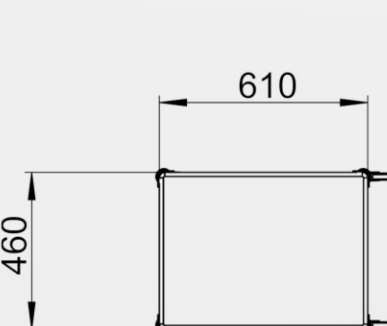
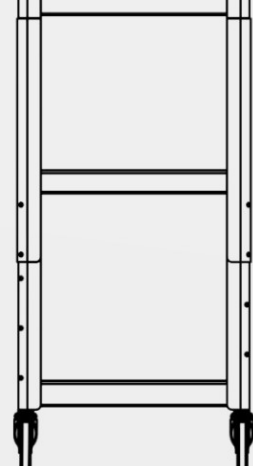
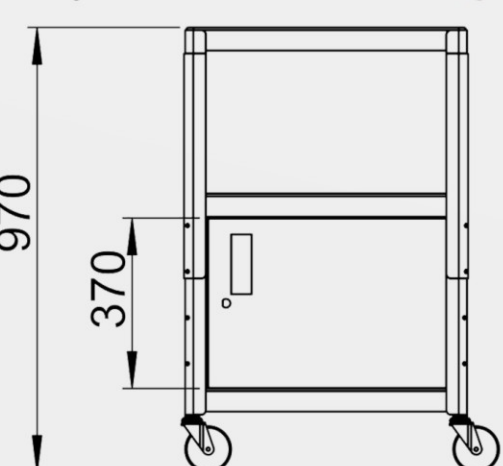
C 34

Dark Black Metal Construction desktop finish with black powder coat painted.  
2 fix shelves.  
Polyethylene shelves will not scratch, dent, rust or stain  
Built in cord wrap  
24"W x 18"D x 34"H  
400 lb. weight capacity  
Easy assembly  
Color: Black



Dark Black Metal Construction desktop finish with black powder coat painted.  
Cabinet also available.  
Polyethylene shelves will not scratch, dent, rust or stain  
Built in cord wrap  
24"W x 18"D x 34"H  
400 lb. weight capacity  
Easy assembly  
Color: Black

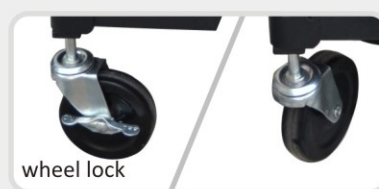
C 44



3-Outlet electric assembly with 15' cord



Wire Management in C44



Rolls on 4" casters (2 with locking brakes)

### Ergonomic Corporation (Hong Kong) Limited.

Office 1:  
2nd floor Eton tower 8,  
Hysen Avenue Causeway, Hongkong.

Tel.: 852-98226451  
info@ergohongkong.com  
www.ergohongkong.com

Office 2:  
Room no. 28, block B, 5 floor, Mai Tak Industrial building,  
221 wai yip street, kwun tong, kowloon, Hongkong

Tel.: 852-98226451  
info@ergohongkong.com  
www.ergohongkong.com