

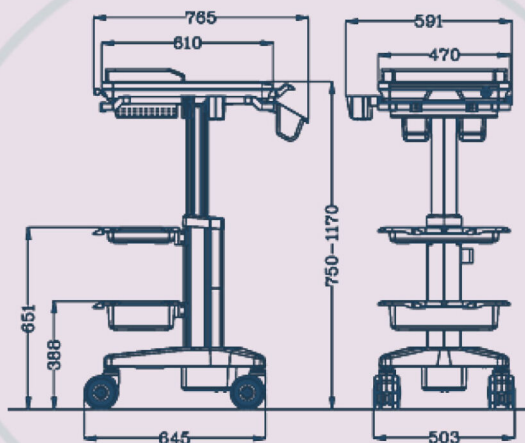
Specifications

- Height adjustment range for work surface : $400 \pm 20\text{mm}$ lifting load $\leq 15\text{kg}$.
- Worksurface height : $750 - 1170\text{mm}$ ($\pm 20\text{mm}$).
- Worksurface dimensions : $610\text{mm(L)} \times 470\text{(W)}$.
- There is a small laptop ($\leq 14\text{''}$).
- Dimensions : $469.5 \text{ mm (L)} \times 306\text{mm (W)}$.

Features

- 2 big storage tray with different depth.
- Fence with hangers (include 3 small pockets, a scanner gun holder, a gel cup)
- Base : PA6 + ABS cover
- Silent medical casters

Model:
MC-N



Model:
DG-05-Laptop Arm

Model:
DJ2-05