

HEIGHT ADJUSTABLE LAPTOP STAND | **MODEL: LSP5**



Made from aluminum for a sturdy stance with beautiful finish nice rounded corners

Raises Notebook screen height to eye level for better ergonomics.



The tilt angle can be adjusted and relieve stiffness of your back and neck, bring you more comfortable.

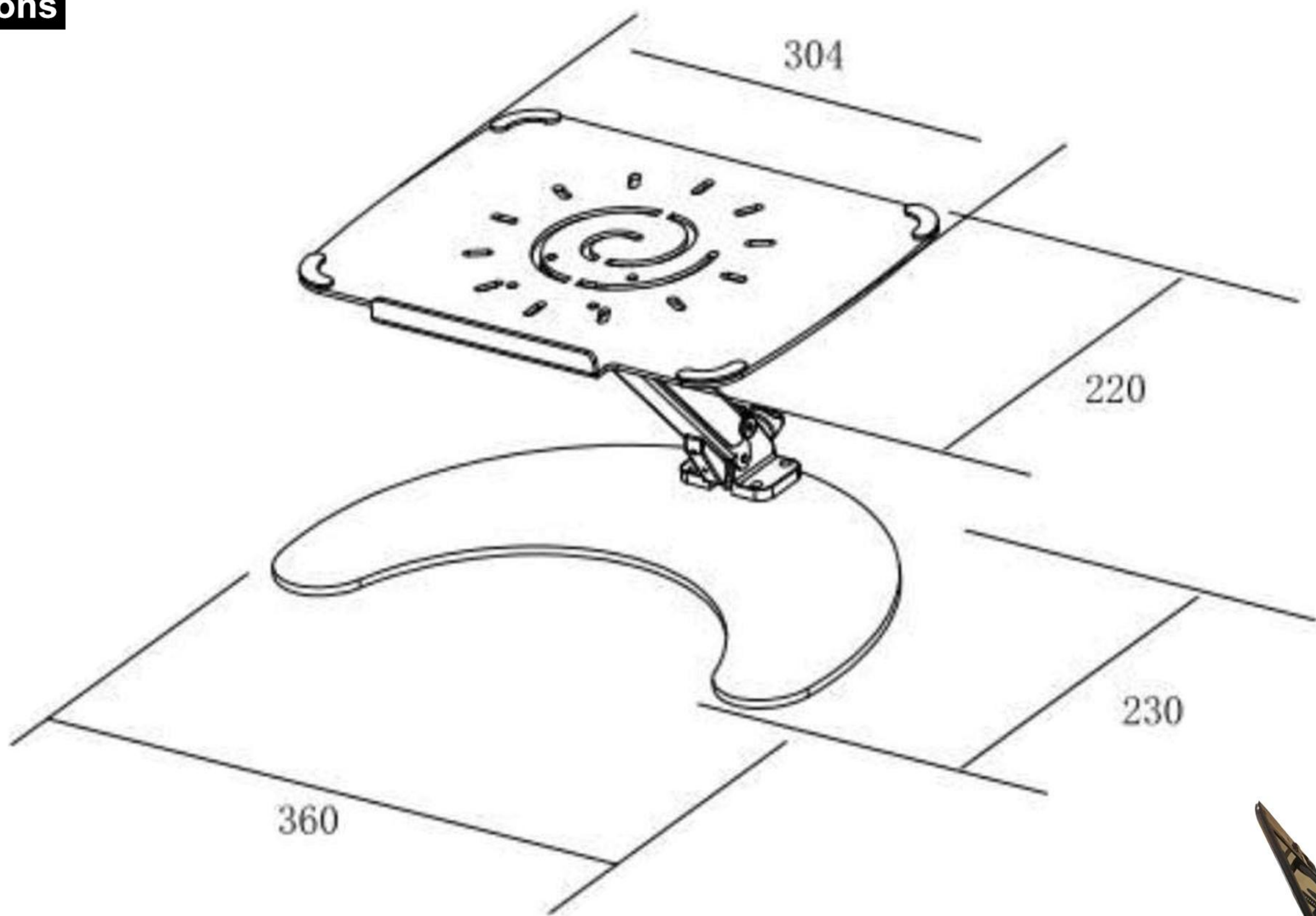


HEIGHT AND ANGLE ADJUSTMENT FOR BETTER POSTURE



Easily adjusts the height of your laptop up to 7.3 inches and the load up to 5kgs/11lbs.

Dimensions



Fix the height that you want using the knob.



Hollow Designed Plate and Aluminum Plate

Specifications

- ❖ **Screen Size:** 13"-17"
- ❖ **Load:** 5kg/11lbs
- ❖ **Color:** Silver
- ❖ **Height:** 55-186mm
- ❖ **Material:** Aluminum



Collapsible, help to save space and outdoor use.



Contact us

Address 1: Ergonomic Corporation Hongkong Limited, 2nd Floor, Eton Tower, 8th Hysen Avenue Causeway Bay, Hong Kong.

Address 2: Room no. 25, Block B, 5 Floor, Mai Tak Industrial building, 221 Wai Yip Street, Kwun Tong, Kowloon, Hong Kong.

E-mail: sales@ergoshopping.com | **Website:** www.ergoshopping.com | **Tel:** 852-98226451