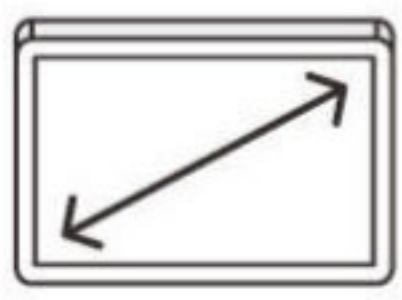


Adjust your monitor to an ergonomic position and free up desk space with this single monitor mount. Increase viewing comfort and help reduce eye, back and neck strain. The spring arm tension can be adjusted to suit the weight of the monitors, allowing fingertip height adjustment for swift and easy adjustments.

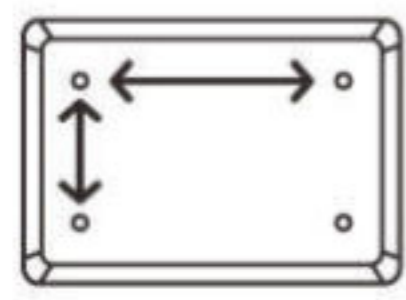


Gas Spring Monitor Arms

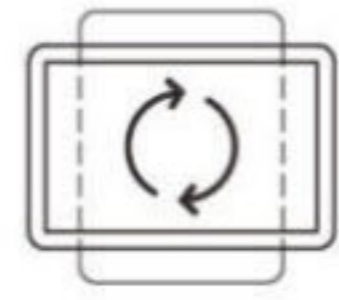
LMS-PMS-B



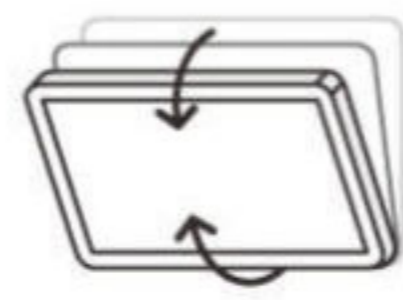
Screen Size
17"-32"



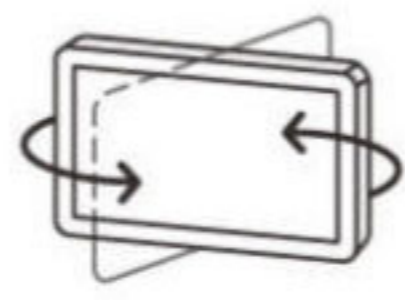
VESA Compatible
75x75 100x100



Screen Rotation
360°



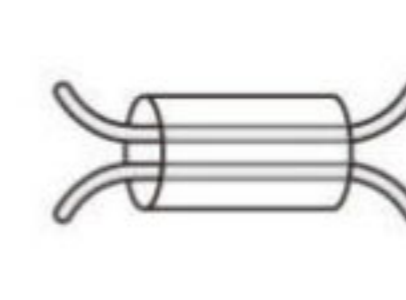
Tilt Range
+35°--35°



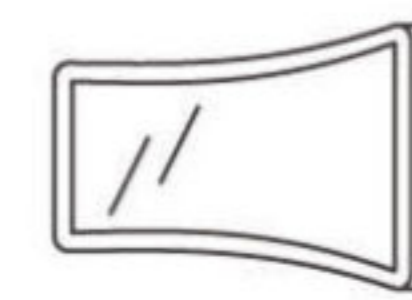
Swivel Range
+90°--90°



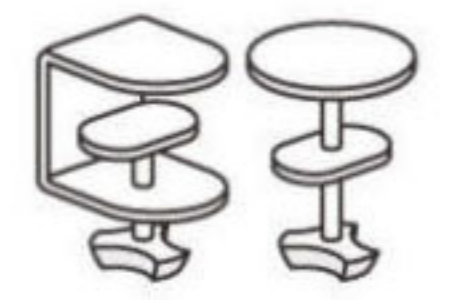
Weight Capacity
8kg/17.6lbs



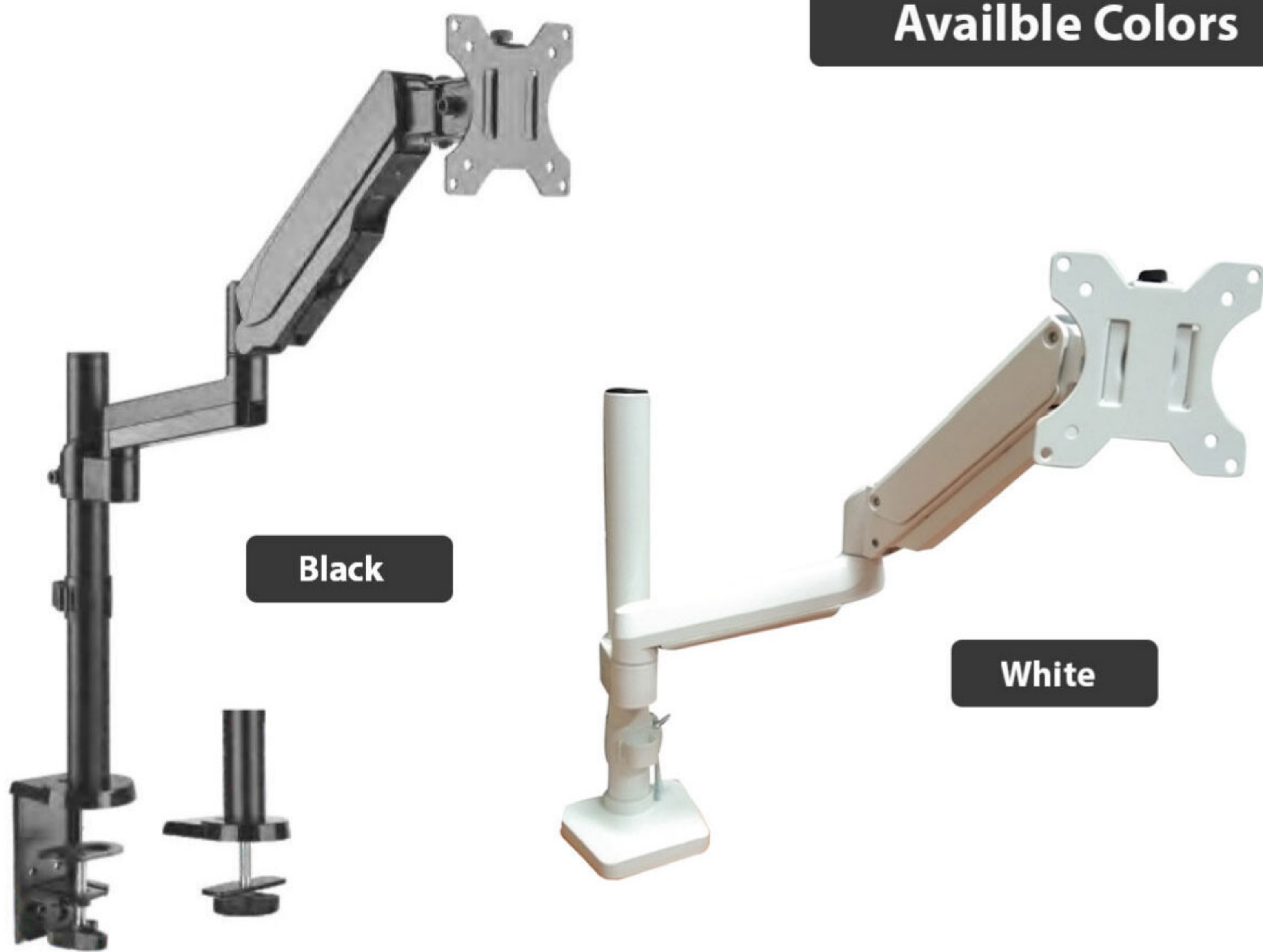
Cable Management



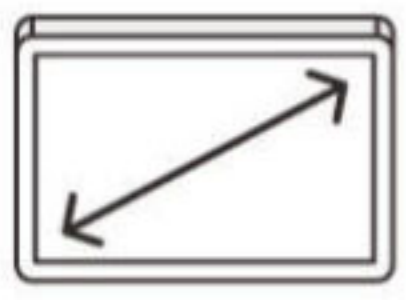
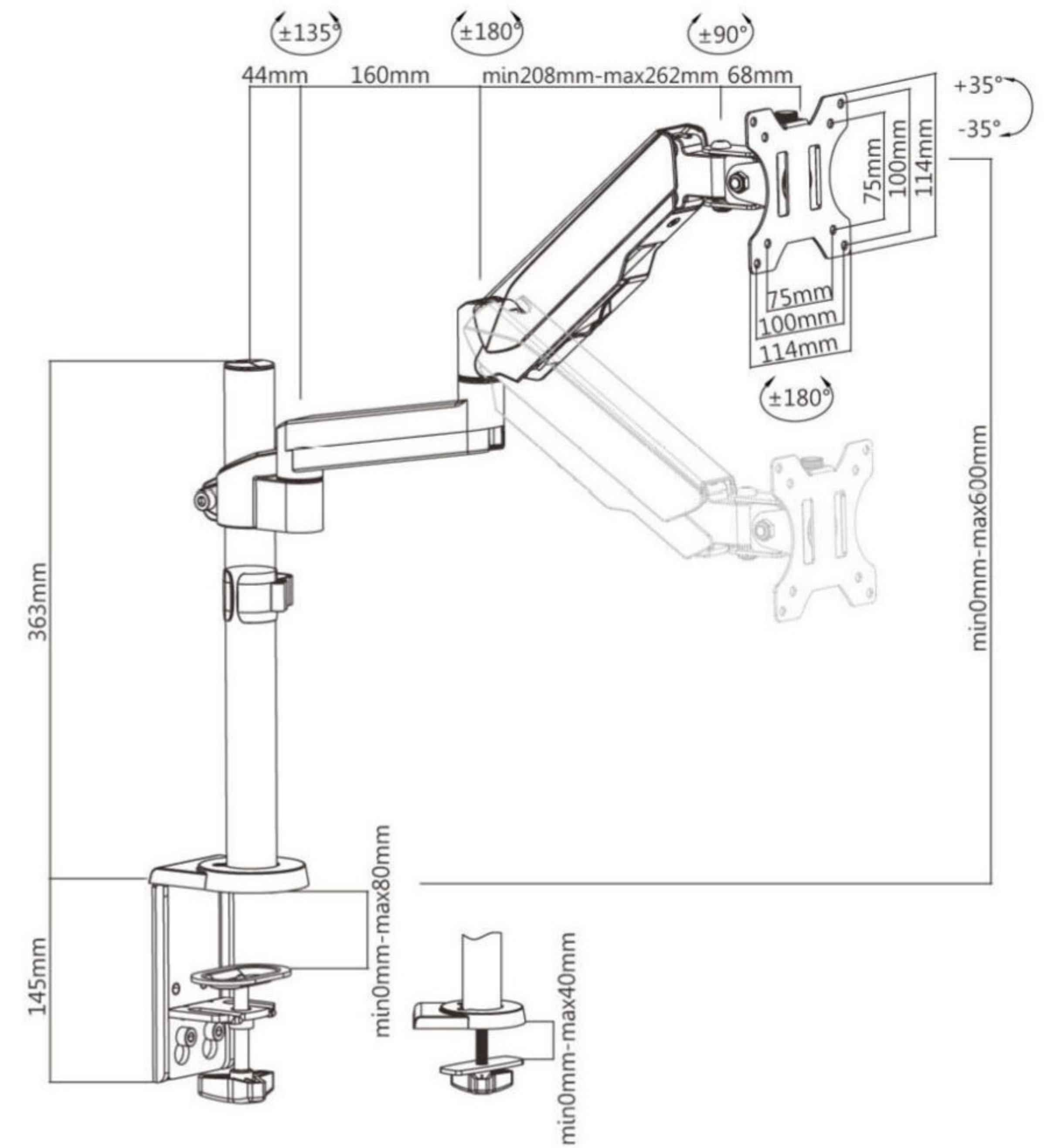
Curved TV



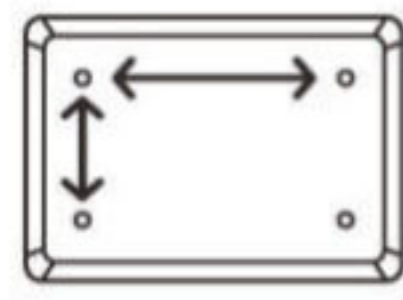
Clamp & Grommet
Installation



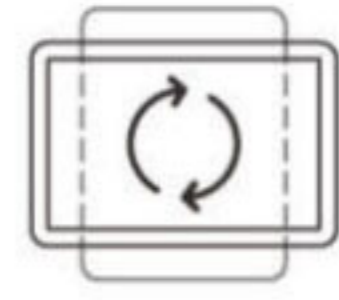
Available Colors



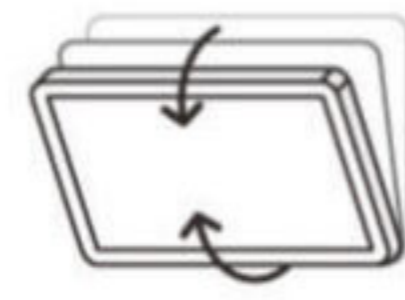
Screen Size
17"-32"



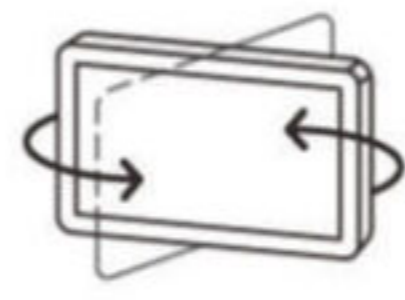
VESA Compatible
75x75 100x100



Screen Rotation
360°



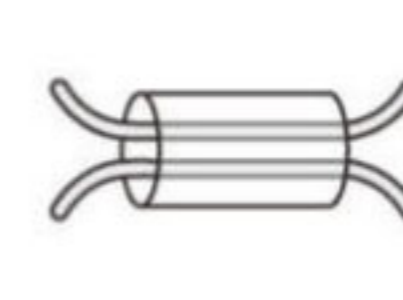
Tilt Range
+35°--35°



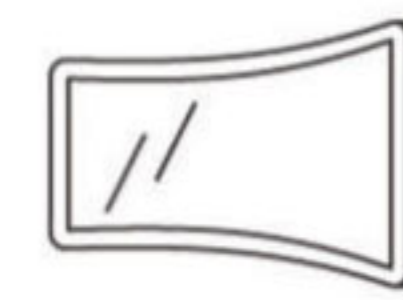
Swivel Range
+90°--90°



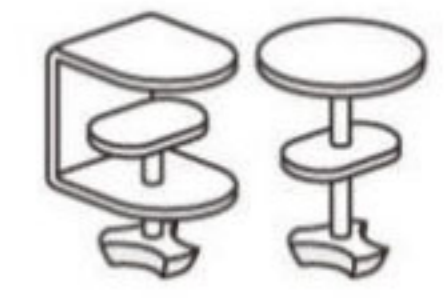
Weight Capacity
8kg/17.6lbs



Cable Management



Curved TV



Clamp & Grommet
Installation

